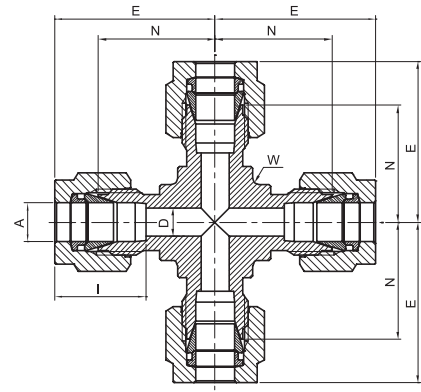
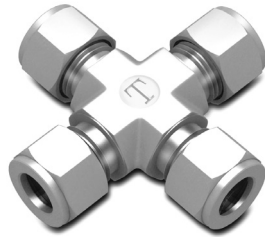


UNION CROSS

TUC



ALL TUBES (METRIC)

Part Number	A Tube O.D.		D		W Wrench flat		N		E		I	
	mm	mm	mm	mm	in	mm	mm	mm	mm	mm	mm	
TUC - 3M	3		2.4		3/8	9.5	15.7		22.3		12.9	
TUC - 6M	6		4.8		1/2	12.7	19.6		27.0		15.3	
TUC - 8M	8		6.4		5/8	15.9	22.4		29.9		16.2	
TUC - 10M	10		7.9		13/16	20.6	25.9		33.5		17.2	
TUC - 12M	12		9.5		13/16	20.6	25.9		36.0		22.8	
TUC - 18M	18		15.1		1-1/16	27.0	28.2		38.3		24.4	
TUC - 20M	20		15.9		1-3/8	34.9	34.5		44.6		26.0	
TUC - 25M	25		21.8		1-3/8	34.9	36.8		49.1		31.3	

ALL TUBES (INCH)

Part Number	A Tube O.D.		D		W Wrench flat		N		E		I	
	in	mm	in	mm	in	mm	in	mm	in	mm	in	mm
TUC - 1	1/16	1.58	0.05	1.27	3/8	9.5	0.55	14	0.70	17.8	0.34	8.6
TUC - 2	1/8	3.17	0.09	2.28	3/8	9.5	0.62	15.74	0.88	22.35	0.50	12.7
TUC - 4	1/4	6.35	0.19	4.82	1/2	12.7	0.77	19.60	1.06	26.92	0.60	15.3
TUC - 5	5/16	7.93	0.25	6.35	5/8	15.9	0.88	22.35	1.17	29.71	0.64	16.2
TUC - 6	3/8	9.52	0.28	7.11	5/8	15.9	0.91	23.11	1.20	30.48	0.66	16.9
TUC - 8	1/2	12.70	0.41	10.41	13/16	20.6	1.02	25.90	1.42	36.07	0.90	22.9
TUC - 12	3/4	19.05	0.62	15.74	1-1/16	27.0	1.17	29.72	1.57	39.88	0.96	24.5
TUC - 16	1	25.40	0.88	22.35	1-3/8	34.9	1.45	36.80	1.93	49.02	1.23	31.2

"D" - Dimension is minimum opening - dimensions are for reference only, and are subject to change without notice.