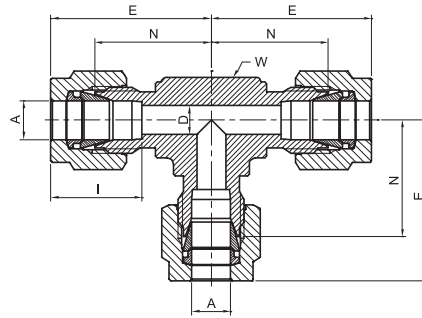
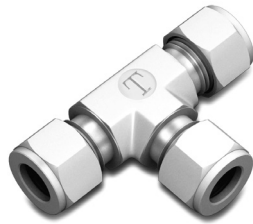


UNION TEE

TUT



ALL TUBE (METRIC)									
Part Number	A Tube O.D.		D		W Hex. flat		N	E	I
	mm	mm	in	mm	mm	mm	mm	mm	mm
TUT - 2M	2	1.7	3/8	9.5	15.7	22.3	12.9		
TUT - 3M	3	2.4	3/8	9.5	15.7	22.3	12.9		
TUT - 4M	4	2.4	1/2	12.7	18.8	25.4	13.7		
TUT - 6M	6	4.8	1/2	12.7	19.6	27.0	15.3		
TUT - 8M	8	6.4	5/8	15.9	22.4	29.9	16.2		
TUT - 10M	10	7.9	11/16	17.5	23.9	31.5	17.2		
TUT - 12M	12	9.5	13/16	20.6	25.9	36.0	22.8		
TUT - 14M	14	11.1	15/16	23.8	28.7	38.8	24.4		
TUT - 15M	15	11.9	15/16	23.8	28.7	38.8	24.4		
TUT - 16M	16	12.7	15/16	23.8	28.7	38.8	24.4		
TUT - 18M	18	15.1	1-1/8	28.6	29.7	39.8	24.4		
TUT - 20M	20	15.9	1-3/8	34.9	34.5	44.6	26.0		
TUT - 22M	22	18.3	1-3/8	34.9	34.5	44.6	26.0		
TUT - 25M	25	21.8	1-3/8	34.9	36.8	49.1	31.3		
TUT - 28M	28	21.8	-	41.0	43.2	64.0	36.8		
TUT - 32M	32	28.6	-	46.0	49.3	72.3	42.0		
TUT - 38M	38	33.7	-	55.0	56.4	84.0	49.4		
TUT - 42M	42	36.0	-	55.0	58.0	89.1	55.1		

ALL TUBE (INCH)												
Part Number	A Tube O.D.		D		W Hex. flat		N		E		I	
	in	mm	in	mm	in	mm	in	mm	in	mm	in	mm
TUT - 1	1/16	1.58	0.05	1.27	3/8	9.5	0.56	14.00	0.70	17.80	0.34	8.6
TUT - 2	1/8	3.17	0.09	2.28	3/8	9.5	0.62	15.74	0.88	22.35	0.50	12.7
TUT - 3	3/16	4.76	0.12	3.04	1/2	12.7	0.70	17.80	0.96	24.40	0.54	13.7
TUT - 4	1/4	6.35	0.19	4.82	1/2	12.7	0.77	19.60	1.06	26.90	0.60	15.3
TUT - 5	5/16	7.93	0.25	6.35	5/8	15.9	0.88	22.35	1.17	29.71	0.64	16.3
TUT - 6	3/8	9.52	0.28	7.11	5/8	15.9	0.91	23.11	1.20	30.48	0.66	16.9
TUT - 8	1/2	12.70	0.41	10.41	13/16	20.6	1.02	25.90	1.42	36.10	0.90	22.9
TUT - 10	5/8	15.87	0.50	12.70	15/16	23.8	1.13	28.70	1.53	38.90	0.96	24.4
TUT - 12	3/4	19.05	0.62	15.74	1-1/16	27.0	1.17	29.70	1.57	39.90	0.96	24.5
TUT - 14	7/8	22.22	0.72	18.29	1-3/8	34.9	1.36	34.54	1.76	44.70	1.02	25.9
TUT - 16	1	25.40	0.88	22.35	1-3/8	34.9	1.45	36.80	1.93	49.00	1.23	31.2
TUT - 20	1-1/4	31.75	1.09	27.70	1-11/16	42.9	1.75	44.50	2.62	66.65	1.62	41.2
TUT - 24	1-1/2	38.10	1.34	34.00	2	50.8	2.00	50.80	3.07	77.98	1.97	50.0
TUT - 32	2	50.80	1.81	45.97	2-3/4	69.9	2.75	69.85	4.22	107.19	2.66	67.6

"D" - Dimension is minimum opening - dimensions are for reference only, and are subject to change without notice.