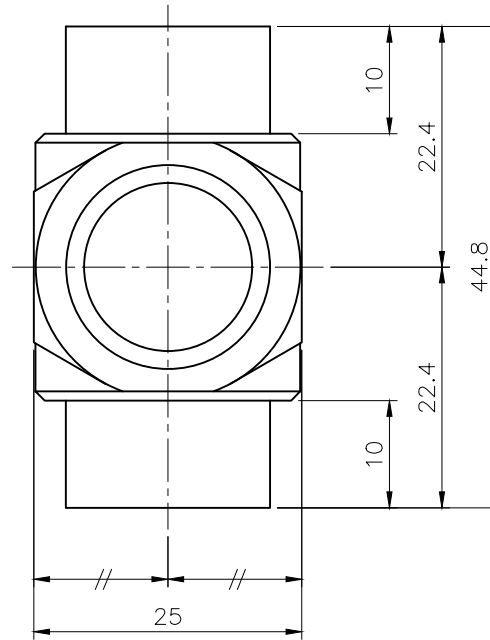
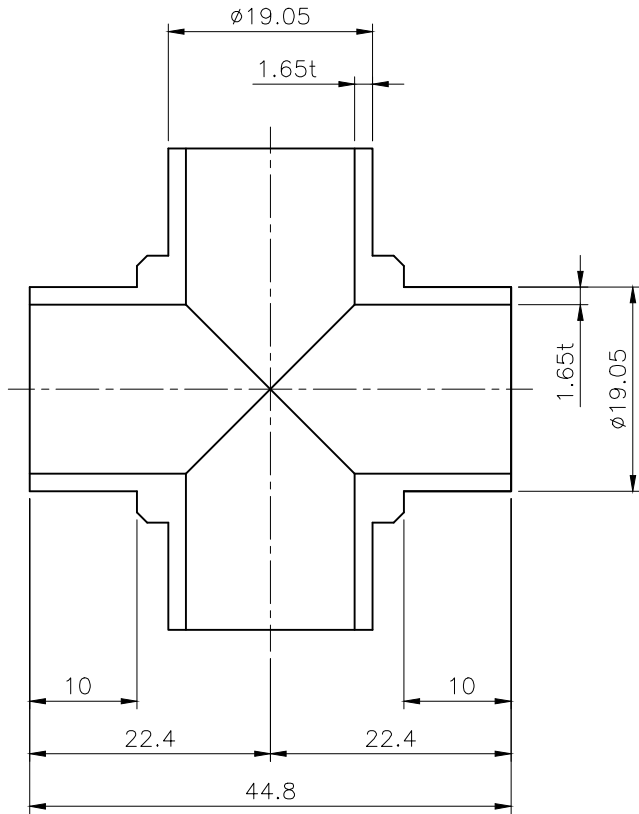


REV. LET.	REVISION RECORD	DATE	BY	CHECK'D	CHECK'D	APPR'D
△						
0	FIRST ISSUE	2019-01-28	D.H.Kim	Y.S.Sin	H.J.Jeong	Y.K.Kim



Check	Ordering Number	Body Material	Grade
	S12CT10	316L Stainless Steel	BA
	S12CT10-P	316L Stainless Steel	EP
	D12CT10	316L VAR Stainless Steel	BA
	D12CT10-PX	316L VAR Stainless Steel	PX

TK-FUJIKIN CORPORATION

TITLE			
TUBE BUTT WELD 3/4" SHORT CROSS TEE			
DRAWN 연구개발부 김다현 2019-01-28	CHECKED 연구개발부 신용섭 2019-01-28	CHECKED 연구개발부 정한조 2019-01-28	APPR'D 연구개발부 김용기 2019-01-28
UNIT	mm	TEM. SCALE	0.7
SCALE	NONE	SIZE	A4
SHT. NO.	1 OF 1	DWG. NO.	12CT10-APP
			REV. 0

"X"
NUMBER