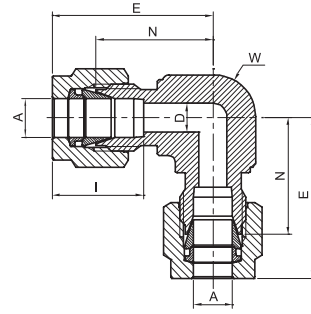


# UNION 90° ELBOW

TUE



TUBE (METRIC) TO TUBE (METRIC)

Part Number	A Tube O.D.		D		W Hex. flat		N		E		I	
	mm	mm	mm	mm	in	mm	mm	mm	mm	mm	mm	mm
TUE - 3M	3		2.4		3/8	9.5		15.7		22.3		12.9
TUE - 4M	4		2.4		1/2	12.7		18.8		25.4		13.7
TUE - 6M	6		4.8		1/2	12.7		19.6		27.0		15.3
TUE - 8M	8		6.4		9/16	14.3		21.3		28.8		16.2
TUE - 10M	10		7.9		11/16	17.5		23.9		31.5		17.2
TUE - 12M	12		9.5		13/16	20.6		25.9		36.0		22.8
TUE - 14M	14		11.1		15/16	23.8		27.9		38.0		24.4
TUE - 15M	15		11.9		15/16	23.8		27.9		38.0		24.4
TUE - 16M	16		12.7		15/16	23.8		27.9		38.0		24.4
TUE - 18M	18		15.1		1-1/8	28.6		29.7		39.8		24.4
TUE - 20M	20		15.9		1-3/8	34.9		34.5		44.6		26.0
TUE - 22M	22		18.3		1-3/8	34.9		34.5		44.6		26.0
TUE - 25M	25		21.8		1-3/8	34.9		36.8		49.1		31.3
TUE - 28M	28		21.8		-	41.0		43.2		64		36.6
TUE - 32M	32		28.6		-	46.0		49.3		72.3		42.0
TUE - 38M	38		33.7		-	55.0		56.4		84		49.4
TUE - 42M	42		36.0		-	55.0		58		89.1		55.1

TUBE (INCH) TO TUBE (INCH)

Part Number	A Tube O.D.		D		W Hex. flat		N		E		I	
	in	mm	in	mm	in	mm	in	mm	in	mm	in	mm
TUE - 1	1/16	1.58	0.05	1.25	3/8	9.5	0.55	14.00	0.70	17.80	0.34	8.6
TUE - 2	1/8	3.17	0.09	2.28	3/8	9.5	0.62	15.74	0.88	22.35	0.50	12.7
TUE - 3	3/16	4.76	0.12	3.04	1/2	12.7	0.74	18.80	1.00	25.40	0.54	13.7
TUE - 4	1/4	6.35	0.19	4.82	1/2	12.7	0.77	19.60	1.06	26.92	0.60	15.32
TUE - 5	5/16	7.93	0.25	6.35	9/16	14.3	0.84	21.33	1.13	28.70	0.64	16.3
TUE - 6	3/8	9.52	0.28	7.11	5/8	15.9	0.91	23.11	1.20	30.48	0.66	16.9
TUE - 8	1/2	12.70	0.41	10.41	13/16	20.6	1.02	25.90	1.42	36.06	0.90	22.9
TUE - 10	5/8	15.87	0.50	12.70	15/16	23.8	1.10	27.94	1.50	38.10	0.96	24.4
TUE - 12	3/4	19.05	0.62	15.74	1-1/16	27.0	1.17	29.70	1.57	39.89	0.96	24.5
TUE - 14	7/8	22.22	0.72	18.28	1-3/8	34.9	1.36	34.5	1.76	44.70	1.02	25.9
TUE - 16	1	25.40	0.88	22.35	1-3/8	34.9	1.45	36.83	1.93	49.00	1.23	31.2
TUE - 20	1-1/4	31.75	1.09	27.70	1-11/16	42.9	1.75	44.50	2.62	66.55	1.62	41.2
TUE - 24	1-1/2	38.10	1.34	34.00	2	50.8	2.00	50.80	3.07	77.98	1.97	50.0
TUE - 32	2	50.80	1.81	45.97	2-3/4	69.9	2.75	69.85	4.22	107.19	2.66	67.6

"D" - Dimension is minimum opening - dimensions are for reference only, and are subject to change without notice.