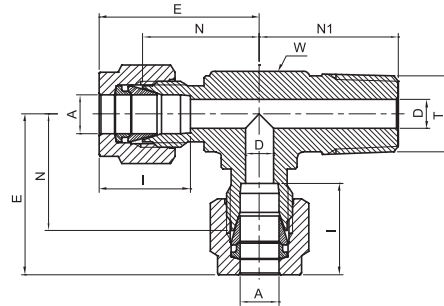
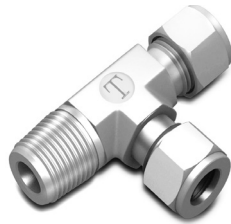


MALE RUN TEE

TMRT



TUBE (METRIC) TO MALE NPT THREAD												
Part Number	A Tube O.D.		T NPT	D		W Wrench flat		N	E	N1	I	
	mm	in	in	mm	in	mm	in	mm	mm	mm	mm	
TMRT - 3M - 2N	3		1/8	2.4		1/2		12.7	17.0	23.6	17.8	12.9
TMRT - 3M - 4N	3		1/4	2.4		1/2		12.7	18.0	24.6	23.4	12.9
TMRT - 4M - 2N	4		1/8	2.4		1/2		12.7	18.8	25.4	18.8	13.7
TMRT - 6M - 2N	6		1/8	4.8		1/2		12.7	19.6	27.0	18.8	15.3
TMRT - 6M - 4N	6		1/4	4.8		1/2		12.7	19.6	27.0	23.4	15.3
TMRT - 8M - 2N	8		1/8	4.8		5/8		15.9	22.4	29.9	20.8	16.2
TMRT - 8M - 4N	8		1/4	6.4		5/8		15.9	22.4	29.9	25.4	16.2
TMRT - 10M - 4N	10		1/4	7.1		13/16		20.6	25.9	33.5	28.2	17.2
TMRT - 10M - 6N	10		3/8	7.9		11/16		17.5	23.9	31.5	28.2	17.2
TMRT - 12M - 4N	12		1/4	7.1		13/16		20.6	25.9	36.0	28.2	22.8
TMRT - 12M - 6N	12		3/8	9.5		13/16		20.6	25.9	36.0	28.2	22.8
TMRT - 12M - 8N	12		1/2	9.5		13/16		20.6	25.9	36.0	33.0	22.8
TMRT - 16M - 6N	16		3/8	9.5		15/16		23.8	27.9	38.0	30.2	24.4
TMRT - 16M - 8N	16		1/2	11.9		15/16		23.8	27.9	38.0	35.1	24.4
TMRT - 20M - 12N	20		3/4	15.9		1-3/8		34.9	34.5	44.6	41.7	26.0

TUBE (INCH) TO MALE NPT THREAD															
Part Number	A Tube O.D.		T NPT	D		W Wrench flat		N		E		N1		I	
	in	mm	in	in	mm	in	mm	in	mm	in	mm	in	mm	in	mm
TMRT - 2 - 2N	1/8	3.17	1/8	0.09	2.28	7/16	11.1	0.67	17.02	0.93	23.62	0.70	17.78	0.50	12.7
TMRT - 2 - 4N	1/8	3.17	1/4	0.09	2.28	1/2	12.7	0.71	18.03	0.97	24.64	0.92	23.40	0.50	12.7
TMRT - 3 - 2N	3/16	4.76	1/8	0.12	3.05	7/16	11.1	0.70	17.78	0.96	24.38	0.70	17.78	0.54	13.7
TMRT - 4 - 2N	1/4	6.35	1/8	0.19	4.82	1/2	12.7	0.77	19.56	1.06	26.92	0.74	18.80	0.60	15.3
TMRT - 4 - 4N	1/4	6.35	1/4	0.19	4.82	1/2	12.7	0.77	19.56	1.06	26.92	0.92	23.37	0.60	15.3
TMRT - 5 - 2N	5/16	7.93	1/8	0.19	4.82	5/8	15.9	0.88	22.35	1.17	29.71	0.82	20.83	0.64	16.2
TMRT - 6 - 4N	3/8	9.52	1/4	0.28	7.11	5/8	15.9	0.91	23.11	1.20	30.48	1.00	25.40	0.66	16.9
TMRT - 6 - 6N	3/8	9.52	3/8	0.28	7.11	13/16	20.6	1.02	25.91	1.31	33.27	1.11	28.19	0.66	16.9
TMRT - 8 - 6N	1/2	12.70	3/8	0.38	9.50	13/16	20.6	1.02	25.91	1.42	36.07	1.11	28.19	0.90	22.9
TMRT - 8 - 8N	1/2	12.70	1/2	0.41	10.41	13/16	20.6	1.02	25.91	1.42	36.07	1.30	33.00	0.90	22.9
TMRT - 10 - 8N	5/8	15.87	1/2	0.47	11.94	15/16	23.8	1.10	27.94	1.50	38.10	1.38	35.05	0.96	24.4
TMRT - 12 - 12N	3/4	19.05	3/4	0.62	15.75	1-1/16	27.0	1.17	29.72	1.57	39.88	1.45	36.83	0.96	24.5

"D" - Dimension is minimum opening - dimensions are for reference only, and are subject to change without notice.