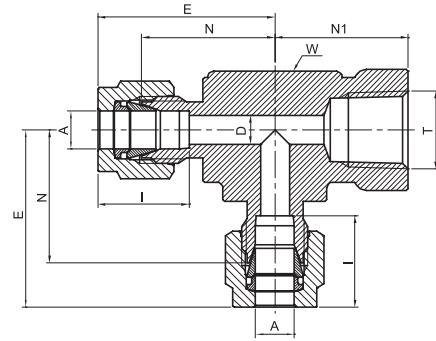


# FEMALE RUN TEE

TFRT



TUBE (METRIC) TO FEMALE NPT THREAD

Part Number	A Tube O.D.		T NPT	D		W Wrench flat		N		E	N1		I	
	mm	in	in	mm	in	mm	mm	mm	mm	mm	mm	mm	mm	
TFRT - 6M - 2N	6		1/8	4.8		12.7		19.6		27.0		19.0		15.3
TFRT - 6M - 4N	6		1/4	4.8		17.5		22.4		29.8		22.4		15.3
TFRT - 6M - 8N	6		1/2	4.8		25.4		27.2		34.5		28.4		15.3
TFRT - 8M - 2N	8		1/8	6.4		15.9		22.4		29.9		19.0		16.2
TFRT - 8M - 4N	8		1/4	6.4		17.5		23.1		30.6		22.4		16.2
TFRT - 8M - 6N	8		3/8	6.4		20.6		25.2		32.4		22.4		16.2
TFRT - 8M - 8N	8		1/2	6.4		25.4		28		35.2		28.4		16.2
TFRT - 10M - 4N	10		1/4	7.9		17.5		25		32.6		22.4		17.2
TFRT - 12M - 4N	12		1/4	9.5		20.6		25.9		36.0		22.4		22.8
TFRT - 12M - 6N	12		3/8	9.5		20.6		25.9		36.0		22.4		22.8
TFRT - 12M - 8N	12		1/2	9.5		25.4		28.7		38.8		28.4		22.8
TFRT - 16M - 8N	16		1/2	12.7		25.4		29.7		39.5		28.4		24.4

TUBE (INCH) TO FEMALE NPT THREAD

Part Number	A Tube O.D.		T NPT	D		W Wrench flat		N		E		N1		I	
	in	mm	in	in	mm	in	mm	in	mm	in	mm	in	mm	in	mm
TFRT - 2 - 2N	1/8	3.17	1/8	0.09	2.28	1/2	12.70	0.71	18.00	0.97	24.44	0.75	19.05	0.50	12.70
TFRT - 4 - 2N	1/4	6.35	1/8	0.19	4.82	1/2	12.70	0.77	19.55	1.06	26.92	0.75	19.05	0.60	15.30
TFRT - 4 - 4N	1/4	6.35	1/4	0.19	4.82	11/16	17.50	0.88	22.35	1.17	29.71	0.88	22.35	0.60	15.30
TFRT - 6 - 4N	3/8	9.52	1/4	0.28	7.11	11/16	17.50	0.94	23.87	1.23	31.24	0.88	22.35	0.60	16.90
TFRT - 8 - 6N	1/2	12.70	3/8	0.41	10.41	13/16	20.60	1.02	25.90	1.42	36.07	0.88	22.35	0.90	22.90
TFRT - 8 - 8N	1/2	12.70	1/2	0.41	10.41	1-1/16	27.00	1.17	29.72	1.57	39.88	1.12	28.45	0.90	22.90
TFRT - 12 - 12N	3/4	19.05	3/4	0.62	15.75	1-3/8	34.90	1.36	34.54	1.76	44.70	1.25	31.75	0.90	24.50
TFRT - 16 - 12N	1	25.40	3/4	19.05	22.35	1-3/8	34.90	1.45	36.83	1.93	49.02	1.25	31.75	1.23	31.24
TFRT - 16 - 16N	1	25.40	1	25.40	22.35	1-11/16	42.86	1.63	41.40	2.11	53.59	1.50	38.10	1.23	31.24

"D" - Dimension is minimum opening - dimensions are for reference only, and are subject to change without notice.