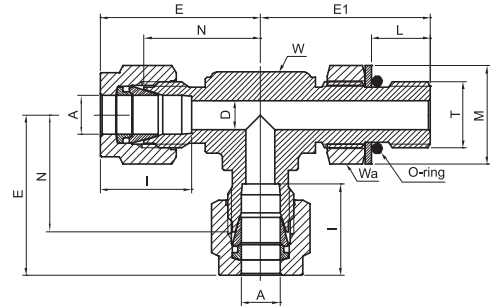
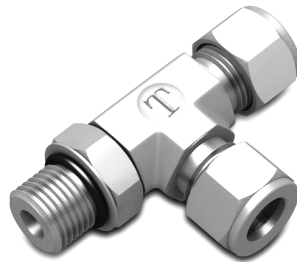


# MALE RUN TEE

TMRT



| TUBE TO SAE/MS STRAIGHT THREAD BOSS (POSITIONABLE)* |                |       |             |      |       |                  |      |                 |       |      |       |      |       |      |       |      |      |      |       |      |      |          |
|---|----------------|-------|-------------|------|-------|------------------|------|-----------------|-------|------|-------|------|-------|------|-------|------|------|------|-------|------|------|----------|
| Part Number   | A<br>Tube O.D. |       | T<br>SEA/MS | D    |       | W<br>Wrench flat |      | Wa<br>Hex. flat |       | N    |       | E    |       | E1   |       | L    |      | M    |       | I    |      | O-ring** |
|   | in             | mm    | in          | in   | mm    | in               | mm   | in              | mm    | in   | mm    | in   | mm    | in   | mm    | in   | mm   | in   | mm    | in   | mm   | Dash no. |
| TMRT - 4 - 4ST                                      | 1/4            | 6.35  | 7/16-20     | 0.19 | 4.8   | 1/2              | 12.7 | 9/16            | 14.3  | 0.83 | 21.1  | 1.12 | 28.45 | 1.12 | 28.45 | 0.39 | 9.9  | 0.65 | 16.5  | 0.60 | 15.3 | -904     |
| TMRT - 6 - 6ST                                      | 3/8            | 9.52  | 9/16-18     | 0.28 | 7.1   | 5/8              | 15.9 | 11/16           | 17.5  | 0.97 | 24.64 | 1.26 | 32    | 1.27 | 32.26 | 0.44 | 11.2 | 0.79 | 20.1  | 0.66 | 16.9 | -906     |
| TMRT - 8 - 8ST                                      | 1/2            | 12.7  | 3/4-16      | 0.41 | 10.41 | 13/16            | 20.6 | 7/8             | 22.2  | 1.07 | 27.43 | 1.48 | 37.6  | 1.49 | 37.84 | 0.5  | 12.7 | 1.01 | 25.65 | 0.9  | 22.9 | -908     |
| TMRT - 12 - 12ST                                    | 3/4            | 19.05 | 1-1/16-12   | 0.62 | 15.74 | 1-1/16           | 27   | 1-1/4           | 31.75 | 1.22 | 31.24 | 1.63 | 41.4  | 1.91 | 48.76 | 0.65 | 16.7 | 1.45 | 36.6  | 1.0  | 24.5 | -912     |
| TMRT - 16 - 16ST                                    | 1              | 25.4  | 1-5/16-12   | 0.88 | 22.35 | 1-3/8            | 34.9 | 1-1/2           | 38.1  | 1.5  | 38.35 | 1.98 | 50.54 | 2.1  | 53.6  | 0.65 | 16.7 | 1.72 | 43.94 | 1.22 | 31.2 | -916     |

| TUBE (INCH) TO ISO PARALLEL THREAD (POSITIONABLE)* |                |      |             |      |     |                  |      |                 |      |      |      |      |      |      |      |      |     |      |      |      |      |                  |
|--|----------------|------|-------------|------|-----|------------------|------|-----------------|------|------|------|------|------|------|------|------|-----|------|------|------|------|------------------|
| Part Number  | A<br>Tube O.D. |      | T<br>ISO    | D    |     | W<br>Wrench flat |      | Wa<br>Hex. flat |      | N    |      | E    |      | E1   |      | L    |     | M    |      | I    |      | O-ring**<br>I.D. |
|  | in             | mm   | in          | in   | mm  | in               | mm   | in              | mm   | in   | mm   | in   | mm   | in   | mm   | in   | mm  | in   | mm   | in   | mm   | Dash no.         |
| TMRT - 4 - 2PR                                     | 1/4            | 6.35 | 1/8-28 BSPP | 0.16 | 4.0 | 1/2              | 12.7 | 9/16            | 14.3 | 0.77 | 19.6 | 1.06 | 26.9 | 1.04 | 26.4 | 0.32 | 8.1 | 0.68 | 17.3 | 0.60 | 15.3 | 8.0              |
| TMRT - 4 - 4PR                                     | 1/4            | 6.35 | 1/4-19 BSPP | 0.19 | 4.8 | 5/8              | 15.9 | 3/4             | 19.0 | 0.85 | 21.6 | 1.14 | 28.9 | 1.27 | 32.2 | 0.36 | 9.1 | 0.90 | 22.9 | 0.60 | 15.3 | -                |
| TMRT - 6 - 4PR                                     | 3/8            | 9.53 | 1/4-19 BSPP | 0.23 | 5.9 | 5/8              | 15.9 | 3/4             | 19.0 | 0.91 | 23.1 | 1.20 | 30.5 | 1.27 | 32.2 | 0.36 | 9.1 | 0.90 | 22.9 | 0.66 | 16.9 | -                |

| TUBE (METRIC) TO ISO PARALLEL THREAD (POSITIONABLE) |                |             |     |                  |      |                 |      |      |      |      |     |      |      |                  |
|---|----------------|-------------|-----|------------------|------|-----------------|------|------|------|------|-----|------|------|------------------|
| Part Number   | A<br>Tube O.D. | T<br>ISO    | D   | W<br>Wrench flat |      | Wa<br>Hex. flat |      | N    | E    | E1   | L   | M    | I    | O-ring**<br>I.D. |
|   | mm             | in          | mm  | in               | mm   | in              | mm   | mm   | mm   | mm   | mm  | mm   | mm   | Dash no.         |
| TMRT - 8M - 4PR                                     | 8              | 1/4-19 BSPP | 5.9 | 5/8              | 15.9 | 3/4             | 19.0 | 22.4 | 29.9 | 32.2 | 9.1 | 22.9 | 16.9 | -                |