

## LOW PRESSURE MANUAL DIAPHRAGM VALVE

**SHUTOFF TYPE****FEATURES**

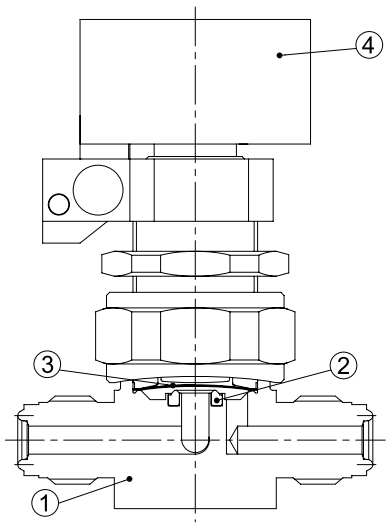
- Shutoff type handle operation
- Low internal volume
- Minimal particle generation
- Minimal contributions of Moisture, Oxygen and Hydrocarbon
- Handle colors available upon request
- Lockable in the CLOSED position for safety

**MAJOR SPECIFICATIONS**

Size	1/4"	3/8", 1/2"
<b>Cv Value</b>	0.3	0.7
<b>Orifice Size</b>	3.5mm	6.5mm
<b>Max. Working Pressure (G.)</b>	1MPa	
<b>Max. Working Temp.</b>	PCTFE : -10°C ~ 80°C / PI, PFA : -10°C ~ 150°C	
<b>Internal Leakage Allowance (He)</b>	1x10 <sup>-10</sup> Pa · m <sup>3</sup> /s	
Test Pressure ≤ 1x10 <sup>-2</sup> Torr		
Holding Time ≥ 15 sec.		
<b>External Leakage Allowance (He)</b>	1x10 <sup>-10</sup> Pa · m <sup>3</sup> /s	
Test Pressure ≤ 1x10 <sup>-2</sup> Torr		
Holding Time ≥ 1 min.		
<b>Particle Inspection (EP only)</b>	No count	
Pressure : 60~80psi N <sub>2</sub> Gas		
Sample Volume : 1CFM		
0.1µm and Larger		

**PRODUCT GRADE**

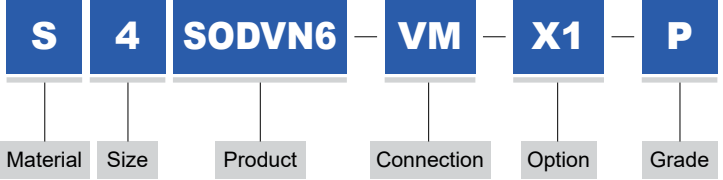
GRADE	AP	BA	EP
Inner Surface Roughness	Ry ≤ 25µm Cut off Length : 2.5mm Measuring Length : 12.5mm	Ry ≤ 3.0µm 10 µinch Ra(Avg.) Cut off Length : 0.8mm Measuring Length : 4mm	Ry ≤ 0.7µm 5 µinch Ra(Avg.) Cut off Length : 0.25mm Measuring Length : 1.25mm
Polishing	Machining Finish	Machining Finish	Electro Polishing Finish



**MATERIAL**

NO.	NAME	MATERIAL
1	Body	316L Stainless Steel 316L Stainless Steel VAR 304 Stainless Steel
2	Seat	PCTFE / PI / PFA
3	Diaphragm	Ni-Co Alloy
4	Handle	Nylon

**ORDERING INFORMATION**



MATERIAL		SIZE		CONNECTION		OPTION		GRADE	
S	316L Stainless Steel	4	1/4"	VM	MFS Male	×87	Locking	AP	AP Grade
D	316L Stainless Steel VAR	6	3/8"	VF	MFS Female	×27	Lock Nut	BLANK	BA Grade
4S	Stainless Steel 304	8	1/2"	SW	Lok			P	EP Grade

MODEL	CONNECTION	SIZE	A	B	C	D	E	F	G	H	J	K