

DOUBLE DUTY DIAPHRAGM VALVE

STD TYPE

FEATURES

- Low internal volume
- Minimal particle generation
- Minimal contributions of moisture, Oxygen and Hydrocarbon
- Permanently heat code laser marked ; material traceable to original mill certificate of test
- Ni-Co Alloy and custom configurations available upon request

PATENT NUMBER

- 10-2004-0074464
- 20-2004-0026738

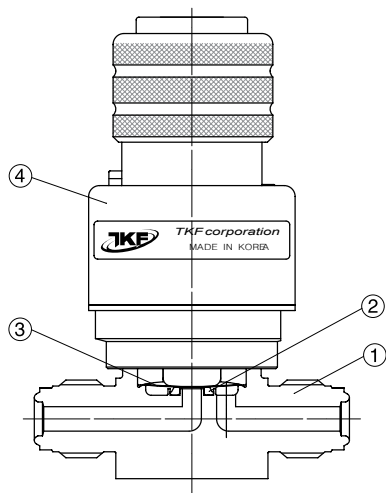


MAJOR SPECIFICATIONS

Size	1/4"
Cv Value	0.3
Orifice Size	4.5mm
Max. Working Pressure (G.)	1MPa
Operating Pressure (G.)	0.4~0.6MPa
Max. Working Temp.	PCTFE : -10°C ~ 80°C / PI, PFA : -10°C ~ 150°C
Internal Leakage Allowance (He)	
Test Pressure ≤ 1×10 ⁻² Torr	1×10 ⁻¹⁰ Pa · m ³ /s
Holding Time ≥ 15 sec.	
External Leakage Allowance (He)	
Test Pressure ≤ 1×10 ⁻² Torr	1×10 ⁻¹⁰ Pa · m ³ /s
Holding Time ≥ 1 min.	
Particle Inspection (EP only)	
Pressure : 60~80psi N ₂ Gas	No count
Sample Volume : 1CFM	
0.1µm and Larger	

PRODUCT GRADE

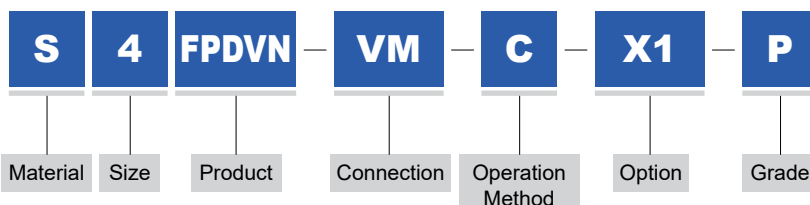
GRADE	AP	BA	EP
Inner Surface Roughness	Ry ≤ 25µm Cut off Length : 2.5mm Measuring Length : 12.5mm	Ry ≤ 3.0µm 10 µinch Ra(Avg.) Cut off Length : 0.8mm Measuring Length : 4mm	Ry ≤ 0.7µm 5 µinch Ra(Avg.) Cut off Length : 0.25mm Measuring Length : 1.25mm
Polishing	Machining Finish	Machining Finish	Electro Polishing Finish



MATERIAL

NO.	NAME	MATERIAL
1	Body	316L Stainless Steel 316L Stainless Steel VAR
2	Seat	PCTFE / PI / PFA
3	Diaphragm	Ni-Co Alloy
4	Actuator	Aluminum

ORDERING INFORMATION



MATERIAL	SIZE	CONNECTION	OPERATION METHOD	GRADE
S 316L Stainless Steel	4 1/4"	VM MFS Male	C Normally Close	AP AP Grade
D 316L Stainless Steel VAR		VF MFS Female	O Normally Open	BLANK BA Grade
		SW Lok		P EP Grade
		TW Butt Weld		

MODEL	CONNECTION	MFS MALE	MODEL	CONNECTION	MFS FEMALE
	SIZE	1/4"		SIZE	1/4"
	A	57		A	70.6
	B	11		B	11
	C	86		C	86
	D	ø38		D	ø38
	E	26		E	26
	F	25.4		F	25.4
	G	M5-TAP8		G	M5-TAP8
	CONNECTION	LOK		CONNECTION	BUTT WELD
	SIZE	1/4"		SIZE	1/4"
	A	69.5		A	54
	B	11		B	11
	C	86		C	86
	D	ø38		D	ø38
	E	26		E	26
	F	25.4		F	25.4
G	M5-TAP8	G	M5-TAP8		