

HIGH PRESSURE PNEUMATIC DIAPHRAGM VALVE

STD TYPE

FEATURES

- Highly resistant to corrosion using nickel-cobalt alloy diaphragm
- Minimal particle generation
- Minimal contributions of Moisture, Oxygen and Hydrocarbon
- Permanently heat code laser marked; material traceable to original mill certificate of test
- Increased operation speed using aluminum piston

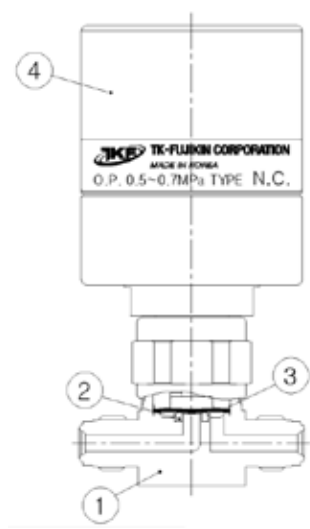


MAJOR SPECIFICATIONS

Size	1/4"	1/2"
Cv Value	0.28	0.7
Orifice Size	4.4mm	8mm
Max. Working Pressure (G.)	20.5MPa	
Operating Pressure (G.)	0.5 ~ 0.7MPa	
Max. Working Temp.	PTFE : -10°C ~ 40°C	
Internal Leakage Allowance (He)		
Test Pressure ≤ 1×10 ⁻² Torr	1×10 ⁻¹⁰ Pa · m ³ /s	
Holding Time ≥ 15 sec.		
External Leakage Allowance (He)		
Test Pressure ≤ 1×10 ⁻² Torr	1×10 ⁻¹⁰ Pa · m ³ /s	
Holding Time ≥ 1 min.		
Particle Inspection (EP only)		
Pressure : 60~80psi N ₂ Gas	No count	
Sample Volume : 1CFM		
0.1µm and Larger		

PRODUCT GRADE

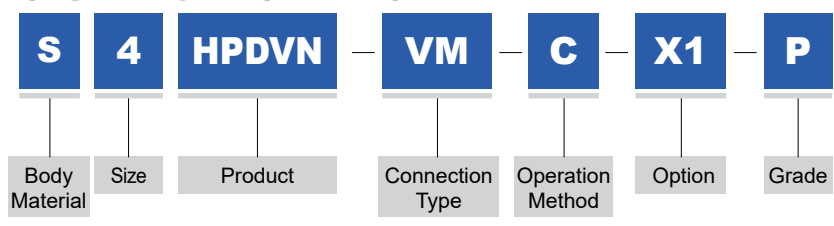
GRADE	AP	BA	EP
Inner Surface Roughness	Ry ≤ 25µm Cut off Length : 2.5mm Measuring Length : 12.5mm	Ry ≤ 3.0µm 10 µinch Ra(Avg.) Cut off Length : 0.8mm Measuring Length : 4mm	Ry ≤ 0.7µm 5 µinch Ra(Avg.) Cut off Length : 0.25mm Measuring Length : 1.25mm
Polishing	Machining Finish	Machining Finish	Electro Polishing Finish



MATERIAL

NO.	NAME	MATERIAL
1	Body	316L Stainless steel 316L Stainless steel VAR 304 Stainless Steel
2	Seat	PCTFE
3	Diaphragm	Ni-Co Alloy
4	Actuator	Aluminum

ORDERING INFORMATION



	MATERIAL	SIZE	CONNECTION	OPTION	GRADE
S	316L Stainless Steel	4 1/4"	VM MFS Male	C Normally Close	AP AP Grade
D	316L Stainless Steel VAR	8 1/2"	VF MFS Female		BLANK BA Grade
4S	304 Stainless Steel				P EP Grade

MODEL	CONNECTION	SIZE	A	B	C	D	E	F	G
	MFS Male	1/4"	58.7	11.1	119.8	57.5	18	28	
		1/2"	82.5	18.3	134.1	57.5	27	44.3 x 38	
	MFS Female	1/4"	76.2	11.1	119.8	57.5	18	28	
		1/2"	114.3	18.3	134.1	57.5	27	44.3 x 38	