

LOW PRESSURE PNEUMATIC BELLOWS VALVE

FORGED A TYPE**FEATURES**

- Forged body reduced the total weight
- The valve seat is designed to produce less dust and gas residue

**MAJOR SPECIFICATIONS**

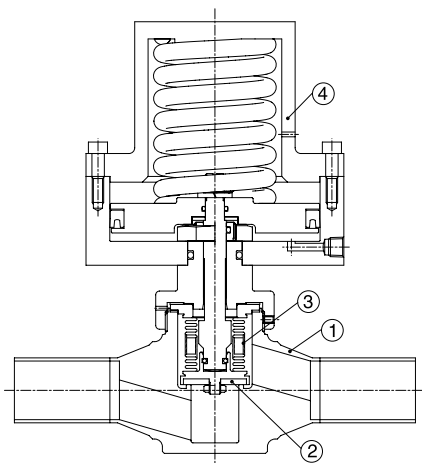
Size	15A	1"	20A	25A
Cv Value	2.9	4.1	4.1	6.9
Orifice Size	15mm	19mm	19mm	25mm
Max. Working Pressure (G.)	1MPa			
Operating Pressure (G.)	0.4 ~ 0.7MPa			
Max. Working Temp.	-10°C ~ 80°C			
Internal Leakage Allowance (He) Test Pressure ≤ 1×10 ⁻² Torr Holding Time ≥ 15 sec.	1×10 ⁻⁶ Pa · m ³ /s			
External Leakage Allowance (He) Test Pressure ≤ 1×10 ⁻² Torr Holding Time ≥ 1 min.	1×10 ⁻⁶ Pa · m ³ /s			
Particle Inspection (EP only) Pressure : 60~80psi N ₂ Gas Sample Volume : 1CFM 0.1µm and Larger	No count			

PRODUCT GRADE

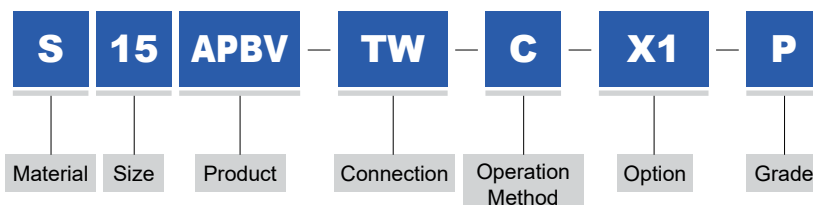
GRADE	AP	BA	EP
Inner Surface Roughness	Ry ≤ 25µm Cut off Length : 2.5mm Measuring Length : 12.5mm	Ry ≤ 3.0µm 10 µinch Ra(Avg.) Cut off Length : 0.8mm Measuring Length : 4mm	Ry ≤ 0.7µm 5 µinch Ra(Avg.) Cut off Length : 0.25mm Measuring Length : 1.25mm
Polishing	Machining Finish	Machining Finish	Electro Polishing Finish

MATERIAL

NO.	NAME	MATERIAL
1	Body	316L Stainless Steel 316L Stainless Steel VAR 304 Stainless Steel
2	Disk	PCTFE
3	Bellows	316L Stainless Steel
4	Actuator	Aluminum



ORDERING INFORMATION



MATERIAL	SIZE	CONNECTION	OPERATION METHOD	GRADE
S 316L Stainless Steel	15 15A	TW Butt Weld	C Normally Close	AP AP Grade
D 316L Stainless Steel VAR	T16 1"	FL Flange (JIS 10K)	O Normally Open	BLANK BA Grade
4S 304 Stainless Steel	20 20A			P EP Grade
	25 25A			

MODEL	CONNECTION	SIZE	A	B	C	D	E
	Butt Weld	15A	190	24	204	110	30
		1"	200	28	215	135	35
		20A	200	28	215	135	35
		25A	210	33	226	135	40

MODEL	CONNECTION	SIZE	A	B	C	D	E	F	G	N-H
	Flange	15A	108	47.5	228	110	95	70	51	4-Ø15
		1"	117	50	237	135	100	75	56	4-Ø15
		20A	117	50	237	135	100	75	56	4-Ø15
		25A	127	62.5	256	135	125	90	67	4-Ø19