

LOW PRESSURE PNEUMATIC BELLOWS VALVE (32A ~ 50A)

CASTING A TYPE

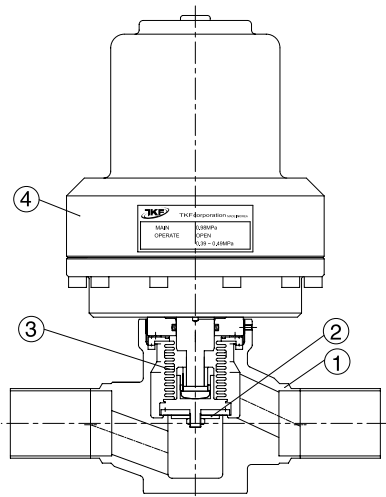


MAJOR SPECIFICATIONS

Size	32A	40A	2"	50A
Cv Value	16	16	16	21
Orifice Size	40mm	40mm	40mm	45mm
Max. Working Pressure (G.)	1MPa			
Operating Pressure (G.)	0.4 ~ 0.7MPa			
Max. Working Temp.	-10°C ~ 80°C			
Internal Leakage Allowance (He) Test Pressure $\leq 1 \times 10^{-2}$ Torr Holding Time ≥ 15 sec.	1x10 ⁻⁶ Pa · m ³ /s			
External Leakage Allowance (He) Test Pressure $\leq 1 \times 10^{-2}$ Torr Holding Time ≥ 1 min.	1x10 ⁻⁶ Pa · m ³ /s			
Particle Inspection (EP only) Pressure : 60~80psi N ₂ Gas Sample Volume : 1CFM 0.1μm and Larger	No count			

PRODUCT GRADE

GRADE	AP	BA	EP
Inner Surface Roughness	Ry $\leq 25\mu\text{m}$ Cut off Length : 2.5mm Measuring Length : 12.5mm	Ry $\leq 3.0\mu\text{m}$ 10 μinch Ra(Avg.) Cut off Length : 0.8mm Measuring Length : 4mm	Ry $\leq 0.7\mu\text{m}$ 5 μinch Ra(Avg.) Cut off Length : 0.25mm Measuring Length : 1.25mm
Polishing	Machining Finish	Machining Finish	Electro Polishing Finish



MATERIAL

NO.	NAME	MATERIAL
1	Body	SCS16 SCS13
2	Disk	PTFE
3	Bellows	316L Stainless Steel
4	Actuator	Aluminum

ORDERING INFORMATION

S	40	APBV	TW	C	X1	P
Material	Size	Product	Connection	Operation Method	Option	Grade

MATERIAL	SIZE	CONNECTION	OPERATION METHOD	GRADE
S SCS16	32 32A	TW Butt Weld	C Normally Close	AP AP Grade
4S SCS13	40 40A	FL Flange (JIS 10K)	O Normally Open	BLANK BA Grade
	T32 2"			P EP Grade
	50 50A			

MODEL	CONNECTION	SIZE	A	B	C	D
	Butt Weld	32A	270	51	309	188
		40A	270	51	309	188
		2"	270	51	309	188
		50A	295	57	350	188

MODEL	CONNECTION	SIZE	A	B	C	D	E	F	G	N-H
	Flange	32A	165	67.5	309	188	135	100	76	4-Ø19
		40A	165	70.0	309	188	140	105	81	4-Ø19
		2"	165	70.0	309	188	140	105	81	4-Ø19
		50A	203	77.5	350	188	155	120	96	4-Ø19