

LOW PRESSURE MANUAL BELLOWS VALVE (32A ~ 50A)

CASTING A TYPE

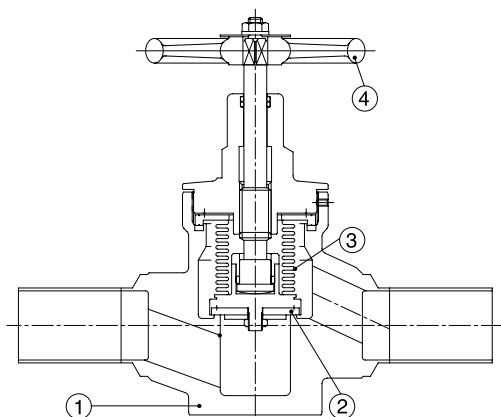


MAJOR SPECIFICATIONS

Size	32A	40A	2"	50A
Cv Value	16	16	16	21
Orifice Size	40mm	40mm	40mm	45mm
Max. Working Pressure (G.)	1MPa			
Max. Working Temp.	-10°C ~ 80°C			
Internal Leakage Allowance (He) Test Pressure $\leq 1 \times 10^{-2}$ Torr Holding Time ≥ 30 sec.	1x10 ⁻⁶ Pa · m ³ /s			
External Leakage Allowance (He) Test Pressure $\leq 1 \times 10^{-2}$ Torr Holding Time ≥ 1 min.	1x10 ⁻⁶ Pa · m ³ /s			
Particle Inspection (EP only) Pressure : 60~80psi N ₂ Gas Sample Volume : 1CFM 0.1 μ m and Larger	No count			

PRODUCT GRADE

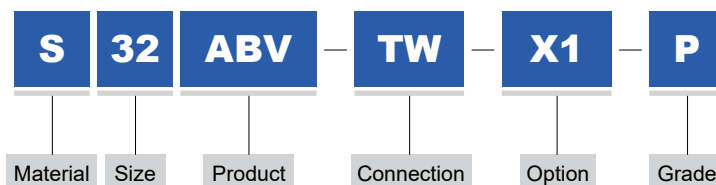
GRADE	AP	BA	EP
Inner Surface Roughness	Ry $\leq 25\mu$ m Cut off Length : 2.5mm Measuring Length : 12.5mm	Ry $\leq 3.0\mu$ m 10 μ inch Ra(Avg.) Cut off Length : 0.8mm Measuring Length : 4mm	Ry $\leq 0.7\mu$ m 5 μ inch Ra(Avg.) Cut off Length : 0.25mm Measuring Length : 1.25mm
Polishing	Machining Finish	Machining Finish	Electro Polishing Finish



MATERIAL

NO.	NAME	MATERIAL
1	Body	SCS16 SCS13
2	Disk	PTFE
3	Bellows	316L Stainless Steel
4	Handle	SCS13

ORDERING INFORMATION



MATERIAL		SIZE		CONNECTION		GRADE	
S	SCS16	32	32A	TW	Butt Weld	AP	AP Grade
4S	SCS13	40	40A	FL	Flange(JIS 10K)	BLANK	BA Grade
		T32	2"			P	EP Grade
		50	50A				

MODEL	CONNECTION	SIZE	A	B	C	D
	Butt Weld	32A	270	51	239	125
		40A	270	51	239	125
		2"	270	51	239	125
		50A	295	61	295	160

MODEL	CONNECTION	SIZE	A	B	C	D	E	F	G	N-H
	Flange	32A	165	67.5	256.0	125	135	100	76	4-Ø19
		40A	165	70.0	258.0	125	140	105	81	4-Ø19
		2"	165	70.0	258.0	125	140	105	81	4-Ø19
		50A	203	77.5	311.5	160	155	120	96	4-Ø19