

LOW PRESSURE MANUAL BELLOWS VALVE (65A ~ 500A)

CASTING A TYPE

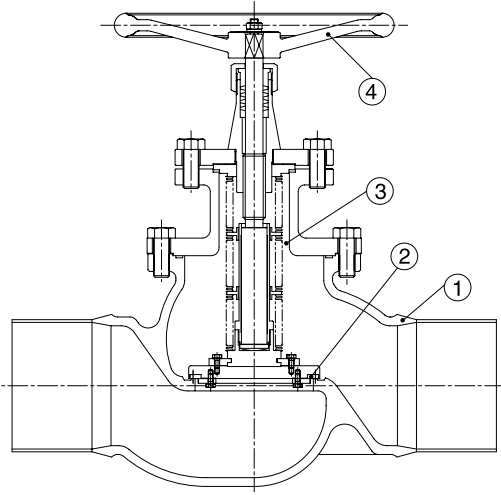


MAJOR SPECIFICATIONS

Size	65A	80A	100A	125A	150A	200A	250A	300A	350A	400A	450A	500A
Cv Value	81	132	200	302	434	772	1200	1600	2000	2650	3100	3400
Orifice Size	65	80	100	124	148	200	250	300	350	400	450	490
Max. Working Pressure (G.)	1MPa											
Max. Working Temp.	-10°C ~ 80°C											
Internal Leakage Allowance (He) Test Pressure $\leq 1 \times 10^{-2}$ Torr Holding Time ≥ 30 sec.	1x10 ⁻⁶ Pa · m ³ /s											
External Leakage Allowance (He) Test Pressure $\leq 1 \times 10^{-2}$ Torr Holding Time ≥ 1 min.	1x10 ⁻⁶ Pa · m ³ /s											
Particle Inspection (EP only) Pressure : 60~80psi N ₂ Gas Sample Volume : 1CFM 0.1μm and Larger	No count											

PRODUCT GRADE

GRADE	AP	BA	EP
Inner Surface Roughness	Ry $\leq 25\mu\text{m}$ Cut off Length : 2.5mm Measuring Length : 12.5mm	Ry $\leq 3.0\mu\text{m}$ 10 μinch Ra(Avg.) Cut off Length : 0.8mm Measuring Length : 4mm	Ry $\leq 0.7\mu\text{m}$ 5 μinch Ra(Avg.) Cut off Length : 0.25mm Measuring Length : 1.25mm
Polishing	Machining Finish	Machining Finish	Electro Polishing Finish



MATERIAL

NO.	NAME	MATERIAL
1	Body	SCS16 SCS13
2	Disk	PTFE
3	Bellows	316L Stainless Steel
4	Handle	SCS13

ORDERING INFORMATION

S
65
ABV
TW
X1
P

Material
Size
Product
Connection
Option
Grade

MATERIAL		SIZE		CONNECTION		GRADE	
S	SCS16	65	65A	TW	Butt Weld	AP	AP Grade
4S	SCS13	80	80A	FL	Flange(JIS 10K)	BLANK	BA Grade
		100	100A			P	EP Grade
		125	125A				
		150	150A				
		200	200A				
		250	250A				
		300	300A				
		350	350A				
		400	400A				
		450	450A				
		500	500A				

MODEL	CONNECTION	SIZE	A	B	C	D
	Butt Weld	65A	416	68	347	160
		80A	441	80	381	200
		100A	492	94	476	200
		125A	556	111	616	300
		150A	606	126	632	300
		200A	795	157	847	400
		250A	1022	190	1085	450
		300A	1100	216	1228	500
		350A	1187	241	1286	710
		400A	1314	268	1318	710
450A	1200	305	1454	800		

MODEL	CONNECTION	SIZE	A	B	C	D
	Flange	65A	216	87.5	367	160
		80A	241	92.5	394	200
		100A	292	105	487	200
		125A	356	125	630	300
		150A	406	140	646	300
		200A	495	165	855	400
		250A	622	200	1095	450
		300A	698	222.5	1235	500
		350A	787	245	1290	710
		400A	914	280	1330	710
450A	1040	310	1579	800		
500A	1040	338	1630	800		

NOTE : When order for 50A Size, part no. must be 50 ABV-TW-X388 / 50ABV-FL-X388