

OIL FREE



Ball Valves

Clean Ball Valve

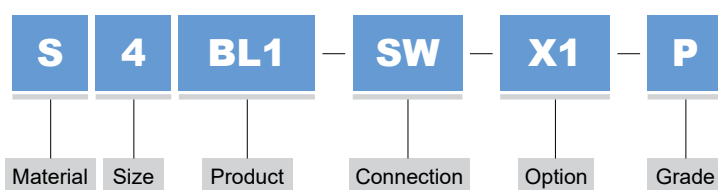


Ball Valves

The Semiconductor manufacturing process demands that valves, Whether for high purity bulk gas or process cooling water distribution, perform at the highest levels possible.

Leak integrity, cleanliness, high flow and safety, provided at the lowest installed cost is what makes TKF Clean Ball Valves the number one specified ball valve of fabs around the world.

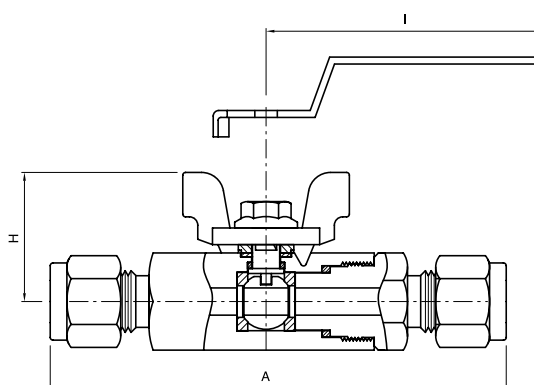
Ordering Information



MATERIAL		SIZE		CONNECTION		GRADE	
S	316L Stainless Steel	4	1/4"	SW	Lok	AP	AP Grade
4S	304 Stainless Steel	6	3/8"	TW	Butt Weld	BLANK	BA Grade
		8	1/2"			P	EP Grade
		12	3/4"				
		16	1"				

Two - Pieces Ball Valve (Hex Type)

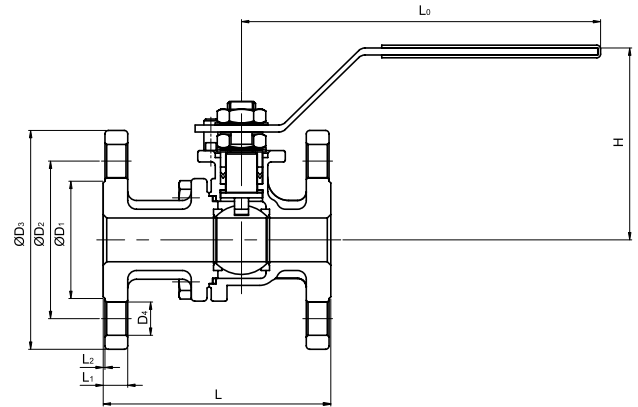
- Seat Material : PTFE
- Max. Pressure : 6.9 Mpa (1000PSI)
- Max. Temperature : -10°C ~ 80°C



Order Number	Orifice	End Connection	Dimensions			Order Number	Orifice	End Connection	Dimensions		
			A	H	I				A	H	I
<input type="checkbox"/> 4BL1-SW	5.0	1/4" Lok	80	23	56	<input type="checkbox"/> 12BL1-SW	12.5	3/4" Lok	107.0	38	103
<input type="checkbox"/> 6BL1-SW	7.5	3/8" Lok	92	29	81	<input type="checkbox"/> 16BL1-SW	16.0	1" Lok	131.0	45	103
<input type="checkbox"/> 8BL1-SW	9.0	1/2" Lok	102	35	81						

Two - Pieces Ball Valve (JIS 10K)

- Seat Material : PTFE
- Max. Pressure : 1Mpa (145 PSI)
- Max. Temperature : -10℃ ~ 80℃



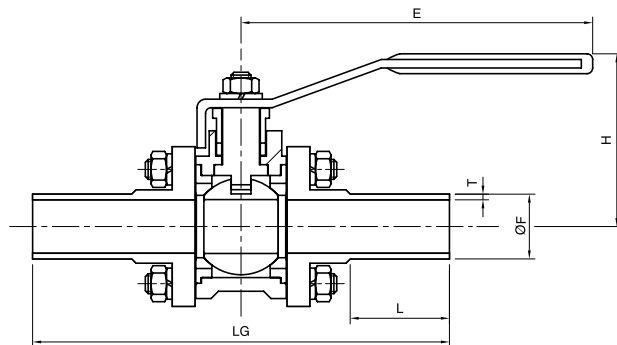
Order Number	End Connection	Dimensions								
		L	L ₀	L ₁	L ₂	D ₁	D ₂	D ₃	D ₄	H
□ 15ABL1-FL	15A Flange	108	140	12	1	51	70	95	4 - ø 15	80
□ 20ABL1-FL	20A Flange	117	140	14	1	57	75	100	4 - ø 15	80
□ 25ABL1-FL	25A Flange	127	160	14	1	67	90	125	4 - ø 19	113
□ 32ABL1-FL	32A Flange	140	160	16	2	79	100	135	4 - ø 19	120
□ 40ABL1-FL	40A Flange	165	200	16	2	85	105	140	4 - ø 19	135
□ 50ABL1-FL	50A Flange	178	200	16	2	95	120	155	4 - ø 19	143
□ 65ABL1-FL	65A Flange	190	320	18	2	116	140	175	4 - ø 19	165
□ 80ABL1-FL	80A Flange	203	320	18	2	126	150	185	8 - ø 19	177
□ 100ABL1-FL	100A Flange	229	460	18	2	151	175	210	8 - ø 19	190

* Option : It two pieces Ball Valve is end connection with TW and TW x FL, Our company can make the item by your order.

* End Connection : TW (Butt Weld) / TW x FL (Butt Weld Flange)

Three - Pieces Ball Valve

- Seat Material : PTFE
- Max. Pressure : 1Mpa (145 PSI)
- Max. Temperature : -10℃ ~ 80℃



Order Number	End Connection	Dimensions						
		F	E	H	L	T		LG
						S5S	S10S	
□ 15ABL-TW	15A Pipe	21.7	101	58	37	1.65	2.1	140
□ 20ABL-TW	20A Pipe	27.2	101	58	37	1.65	2.1	140
□ 25ABL-TW	25A Pipe	34.0	152	70	37	1.65	2.8	152
□ 32ABL-TW	32A Pipe	42.7	183	95	47	1.65	2.8	190
□ 40ABL-TW	40A Pipe	48.6	183	95	47	1.65	2.8	190
□ 50ABL-TW	50A Pipe	60.5	183	105	47	1.65	2.8	212
□ 60ABL-TW	65A Pipe	76.3	256	143	52	2.10	3.0	250
□ 80ABL-TW	80A Pipe	89.1	256	154	52	2.10	3.0	258
□ 100ABL-TW	100A Pipe	114.3	302	167	52	2.10	3.0	326

TKF *Ball Valves*



Head Office

7, Noksansandan 261-ro 88beon-gil, Gangseo-gu, Busan, Korea

2nd Factory

32, Hwajeonsandan 3-ro, Gangseo-gu, Busan, Korea

TEL. 82-51-970-6700 FAX. 82-51-831-1215

www.tk-fujikin.com E-mail : tc@tk-fujikin.com

WARNING

FAILURE, IMPROPER SELECTION OR IMPROPER USE OF THE PRODUCTS AND/OR SYSTEMS DESCRIBED HEREIN OR RELATED ITEMS CAN CAUSE DEATH, PERSONAL INJURY AND PROPERTY DAMAGE.

This document and other information from TK corporation, its subsidiaries and authorized distributors provide product and/or system options for further investigation by users having technical expertise. It is important that you analyze all aspects of your application and review the information concerning the product or system in the current product catalog. Due to the variety of operating conditions and applications for these products or systems, the user, through its own analysis and testing is solely responsible for making the final selection of the products and systems and assuring that all performance, safety and warning requirements of the application are met.

The products described herein, including without limitation, product features, specifications, designs, availability and pricing, are subject to change by TK corporation and its subsidiaries at any time without notice.