

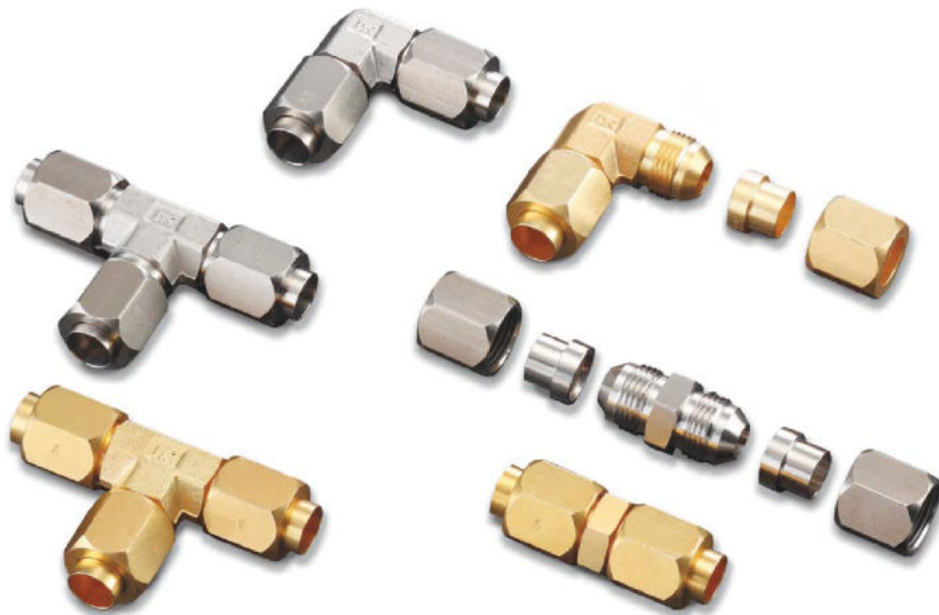
DK-LOK

K Series JIC Tube Fittings SAE J514 37° Flared

Rev. 01-01
Aug. 2023

Features

- Standard Materials: Stainless Steel, Carbon Steel and Brass.
- Universal Fittings for Inch and Metric tube.
- Fitting without sleeve and nut for connection to a female swivel on a hose assembly.



Tube to Tube Union

Union  06

KU

Union Elbow  07

KL

Union Tee  08

KT

Union Cross  09

KX

Bulkhead Union  10

KUB

Weld Bulkhead Union  11

KBUW

Bulkhead Union Elbow  12

KBL

Tube Port to Tube Port

Fitting Port Reducer  13

KPR

Tube to Male Pipe

Male Connector  14

KMC

Male Elbow  15

KLM

Male Run Tee  16

KTRM

Male Branch Tee  17

KTBM

45° Male Elbow  18

KLBM

Tube to Female Pipe

Female Connector  19

KCF

Bulkhead Female Connector  20

KCBF

Female Elbow  21

KLF

Female Run Tee  22

KTRF

Female Branch Tee  23

KTBF

Tube to Straight Thread

O-Seal G Male Connector  24

KMC-GO

O-Seal UNF Male Connector  25

KMCS-U

O-Seal UNF Male Elbow  26

KLS-UP

O-Seal 45° UNF Male Elbow  27

KLBS-UP

O-Seal UNF Branch Tee  28

KTBS-UP

O-Seal UNF Run Tee  29

KTRS-UP

Swivel Fittings

Swivel Male Connector  30

KSMC

Swivel UNF Male Connector  31

KSMCS-U

Swivel Female Connector  32

KSCF

Swivel Elbow  33

KSL

Swivel Run Tee  34

KSRT

Swivel Branch Tee  35

KSBT

Cap and Plug

Cap for Tube End  36

KC

Plug for Fitting Port  36

KP

Spare Parts

Nut  37

KN

Sleeve  37

KS

Bulkhead Lok Nut  38

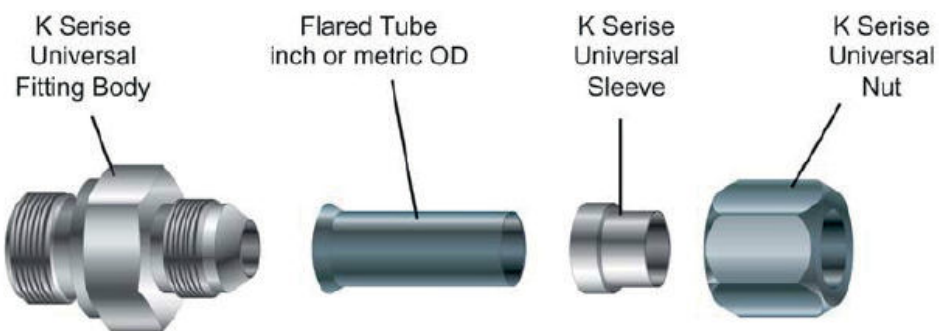
KBN

Design

DK-Lok K Series JIC Tube Fitting consists of body, sleeve and nut and meets the requirements of SAE J514 and ISO 8434-2 standards.

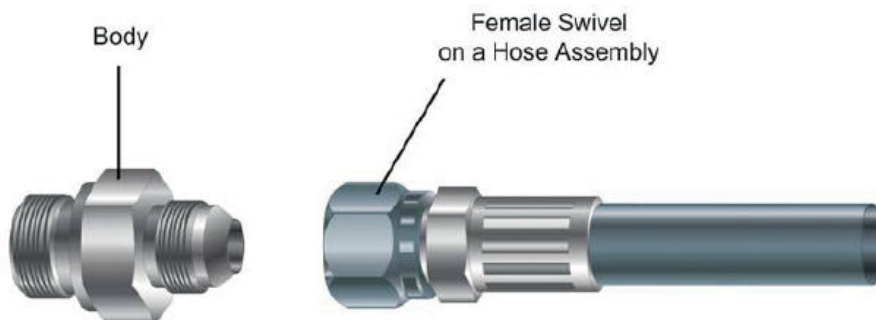


DK-Lok K Series JIC Tube Fitting are capable of connecting to inch and metric tube with no changing the Sleeve and Nut.



Example : KU-4T-SA fitting capable of connecting to 1/4" OD Stainless steel tubing.

The fitting body without sleeve and nut is widely used as a hose adapter for connection to a female swivel on a hose assembly.



Technical Information

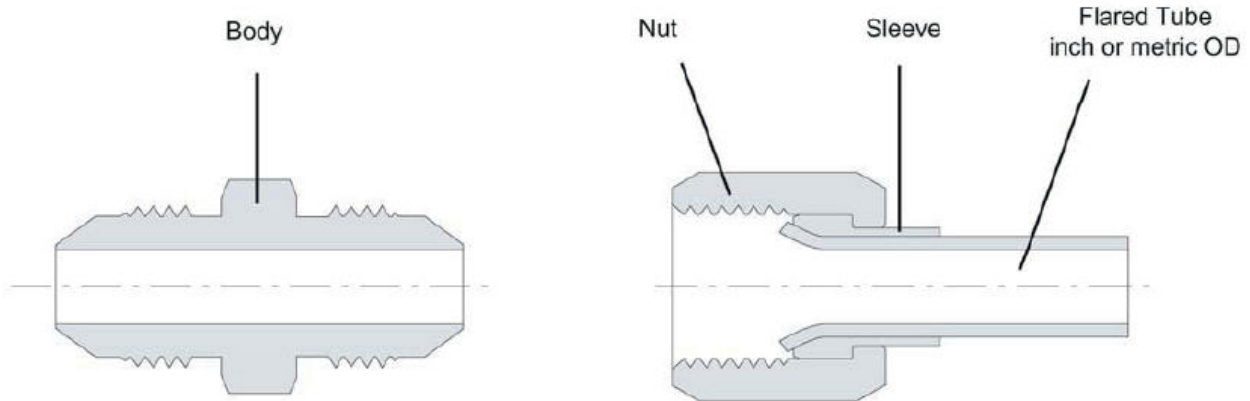


Table 1. Material Standards

Fitting Materials	Body		Nut and Sleeve	Flared Tubing (Not supplied)
	Bar Stock	Forging		
Stainless Steel 316	ASTM A276/A479 Type 316/316L	ASTM A182 F316/F316L	ASTM A276/A479 Type 316/316L Nut supplied with inside Molybdenum coated.	ASTM A269 ASTM A213
Carbon Steel	ASTM A108 JIS G4051 S20C - S48C	ASTM A105 JIS G4051 S20C - S48C	ASTM A108 JIS G4051 S20C - S48C Nut supplied with inside Molybdenum coated.	ASTM A179 ASTM A161
Brass	ASTM B453 UNS C35300 JIS H3250 Alloy C3604	ASTM B283 UNS 37700 JIS G4051 Alloy C3771	ASTM B453 UNS C35300 JIS H3250 Alloy C3604 Nut supplied with inside lubricated.	Copper Tubing ASTM B88 ASTM B75

Table 2. Working Pressure Rating

For fitting materials of Stainless steel and Carbon steel.

SAE Nominal Size	Tube OD		Union and Bulkheads		Fitting with Female Swival		Fitting with Pipe Thread	
	inch	mm	psi	bar	psi	bar	psi	bar
2	1/8	3	5000	345	5000	345	5000	345
3	3/16	4	5000	345	5000	345	5000	345
4	1/4	6	5000	345	4500	310	5000	345
5	5/16	8	5000	345	4000	275	5000	345
6	3/8	10	5000	345	4000	275	4000	275
8	1/2	12	4500	310	4000	275	3000	210
10	5/8	16	3500	240	3000	210	3000	210
12	3/4	18, 20	3500	240	3000	210	2500	170
14	7/8	22	3000	210	2500	170	2500	170
16	1	25	3000	210	2500	170	2000	140
20	1 1/4	32	2500	170	2000	140	1150	80
24	1 1/2	38	2000	140	1500	105	1000	70
32	2	50	1500	105	1125	80	1000	70

Table 3. Suggested Tubing Wall Thickness

SAE Nominal Size	Inch Tube OD inch	Wall Thickness, inch		Metric Tube OD mm	Wall Thickness, mm	
		Min.	Max.		Min.	Max.
2	1/8	0.010	0.035	-	-	-
3	3/16	0.010	0.035	-	-	-
4	1/4	0.020	0.065	6	0.5	2.0
5	5/16	0.020	0.065	8	0.5	2.0
6	3/8	0.028	0.065	10	0.5	2.0
8	1/2	0.035	0.083	12	1.0	2.0
10	5/8	0.035	0.095	16	1.0	2.5
12	3/4	0.035	0.109	18, 20	1.0	3.0
14	7/8	0.035	0.109	22	1.0	3.0
16	1	0.035	0.120	25	1.0	3.0
20	1 1/4	0.049	0.120	32	1.5	3.0
24	1 1/2	0.049	0.120	38	1.5	3.0
32	2	0.058	0.134	50	1.5	3.5

Table 4. Fittings Surface Finish

Sainless Steel	Carbon Steel	Brass
Passiveation	Yellow Zinc plated	Acid Cleaned. On request, chrome plated brass fitting can be supplied.

Ordering Information

To order a fitting with nut and sleeve, select an applicable part number and fitting material designator.

Example : KU-2T-S

To order a fitting with nut and sleeve factory assembled, select an applicable part number, fitting material designator and suffix **A** to the ordering number.

Example : KU-2T-SA

Table 5. **Fitting Material Designator**

Sainless Steel 316	Carbon Steel	Brass
S	C	B

Table 6. **Tube OD Designator**

OD inch	1/16	1/8	3/16	1/4	5/16	3/8	1/2	5/8	3/4	7/8	1	1 1/4	1 1/2	2
Designator	1	2	3	4	5	6	8	10	12	14	16	20	24	36
OD mm	4mm	6mm	8mm	10mm	12mm	16mm	18mm	20mm	22mm	25mm	25mm	32mm	38mm	50mm
Designator	4M	6M	8M	10M	12M	16M	18M	20M	22M	25M	25M	32M	38M	50M

Table 7. **Thread Symbol Designator**

Thread	Symbol	Standards
Taper Thread	N	ASME/ANSI B1.20.1
	R	ISO 7-1, BS 21, JIS B 0203
Parallel Thread	G	ISO 228-1, BS 2779, JIS B0202
	U	ASME B1.1

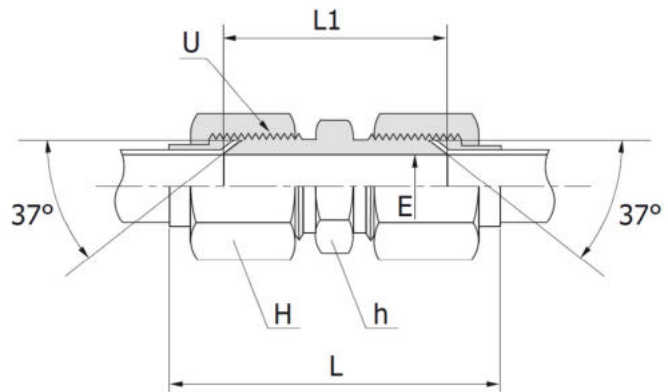
Table 8. **Taper Pipe Thread Designator**

Nominal Size	1/8	1/4	3/8	1/2	3/4	1	1 1/4	1 1/2	2
N	2N	4N	6N	8N	12N	16N	20N	24N	32N
R	2R	4R	6R	8R	12R	16R	20R	24R	32R

Table 9. **ASME B1.1 Unified Thread Designator**

Size	5/16	3/8	7/16	1/2	9/16	3/4	7/8	1 1/16	1 3/16	1 5/16	1 5/8	1 7/8	2 1/2
Size Designator	2	3	4	5	6	8	10	12	14	16	20	24	32

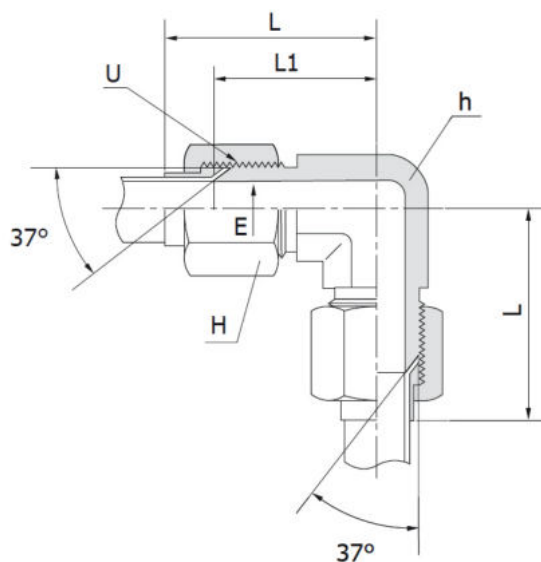
Union
KU



Tube to Tube Union

Part No.	Tube O.D.		U (UNF)	E	L	L1	h (HEX)	H (HEX)
	Inch	Metric						
KU-2T	1/8"	3	5/16"-24	1.6	45.3	29.7	11.1	9.5
KU-3T	3/16"	4	3/8"-24	3.2	50.0	31.2	11.1	11.1
KU-4T	1/4"	6	7/16"-20	4.4	53.0	34.8	12.7	14.2
KU-5T	5/16"	8	1/2"-20	6.0	55.6	34.8	14.2	15.8
KU-6T	3/8"	10	9/16"-18	7.5	59.6	35.8	15.8	17.4
KU-8T	1/2"	12	3/4"-16	9.9	66.5	41.1	20.6	22.2
KU-10T	5/8"	16	7/8"-14	12.3	81.0	47.8	23.8	25.4
KU-12T	3/4"	18, 20	1 1/16"-12	15.5	85.9	54.9	28.5	31.7
KU-14T	7/8"	22	1 3/16"-12	18.0	91.3	56.1	31.7	34.9
KU-16T	1"	25	1 5/16"-12	21.5	95.2	57.2	34.9	38.1
KU-20T	1-1/4"	32	1 5/8"-12	27.5	98.7	61.7	46.0	50
KU-24T	1-1/2"	38	1 7/8"-12	33.3	123.2	69.8	50.0	57.2
KU-32T	2"	50	2 1/2"-12	45.0	141.4	86.4	70	75

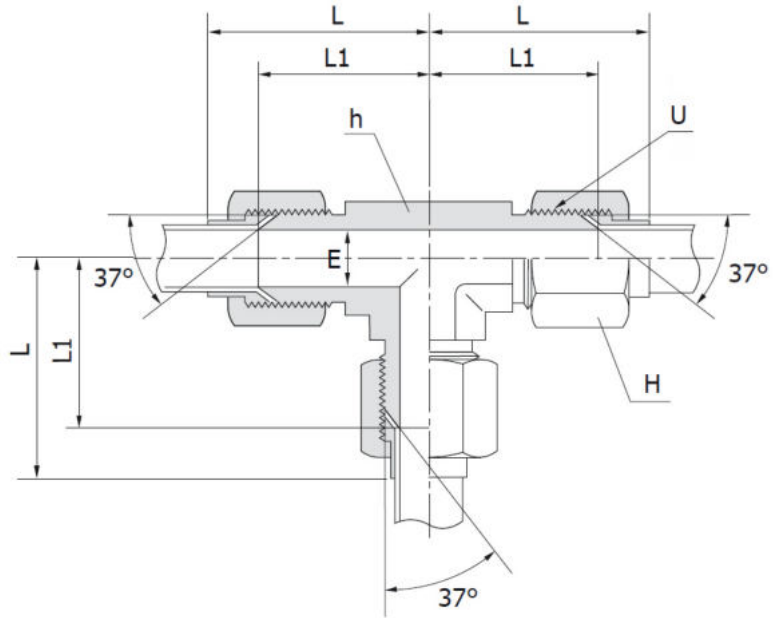
Union Elbow
KL



Tube to Tube Union

Part No.	Tube O.D.		U (UNF)	E	L	L1	h (HEX)	H (HEX)
	Inch	Metric						
KL-2T	1/8"	3	5/16"-24	1.6	27.4	19.6	11.1	9.5
KL-3T	3/16"	4	3/8"-24	3.2	30.5	21.1	11.1	11.1
KL-4T	1/4"	6	7/16"-20	4.4	31.7	22.6	11.1	14.2
KL-5T	5/16"	8	1/2"-20	6.0	34.5	24.1	14.2	15.8
KL-6T	3/8"	10	9/16"-18	7.5	38.8	26.9	14.2	17.4
KL-8T	1/2"	12	3/4"-16	9.9	44.5	31.8	19.1	22.2
KL-10T	5/8"	16	7/8"-14	12.3	53.4	36.8	22.2	25.4
KL-12T	3/4"	18, 20	1 1/16"-12	15.5	57.7	42.2	27.0	31.7
KL-14T	7/8"	22	1 3/16"-12	18.0	63.3	45.7	33.3	34.9
KL-16T	1"	25	1 5/16"-12	21.5	65.0	46.0	33.3	38.1
KL-20T	1-1/4"	32	1 5/8"-12	27.5	70.8	52.3	41.2	50
KL-24T	1-1/2"	38	1 7/8"-12	33.3	85.9	59.2	47.6	57.2
KL-32T	2"	50	2 1/2"-12	45.0	105.2	77.7	63.5	75

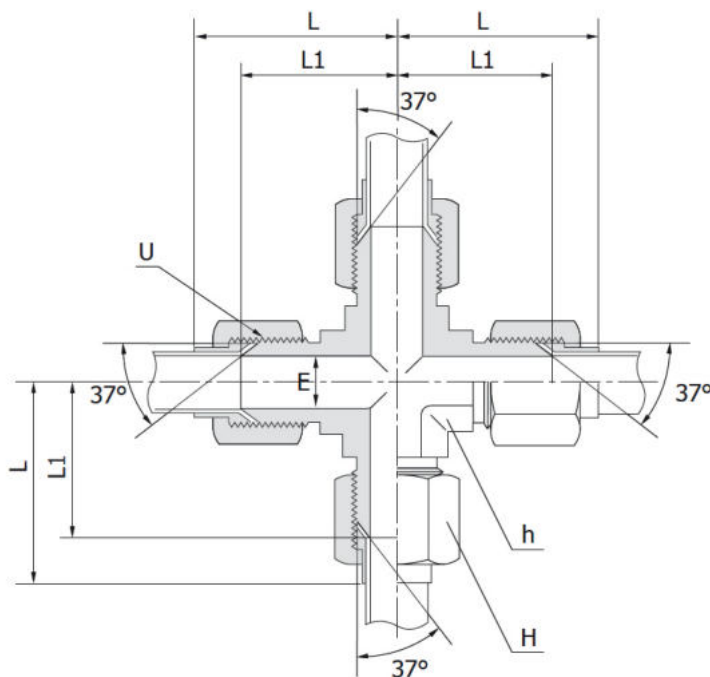
Union Tee
KT



Tube to Tube Union

Part No.	Tube O.D.		U (UNF)	E	L	L1	h (HEX)	H (HEX)
	Inch	Metric						
KT-2T	1/8"	3	5/16"-24	1.6	27.4	19.6	11.1	9.5
KT-3T	3/16"	4	3/8"-24	3.2	30.5	21.1	11.1	11.1
KT-4T	1/4"	6	7/16"-20	4.4	31.7	22.6	11.1	14.2
KT-5T	5/16"	8	1/2"-20	6.0	34.5	24.1	14.2	15.8
KT-6T	3/8"	10	9/16"-18	7.5	38.8	26.9	14.2	17.4
KT-8T	1/2"	12	3/4"-16	9.9	44.5	31.8	19.1	22.2
KT-10T	5/8"	16	7/8"-14	12.3	53.4	36.8	22.2	25.4
KT-12T	3/4"	18, 20	1 1/16"-12	15.5	57.7	42.2	27.0	31.7
KT-14T	7/8"	22	1 3/16"-12	18.0	63.3	45.7	33.3	34.9
KT-16T	1"	25	1 5/16"-12	21.5	65.0	46.0	34.9	38.1
KT-20T	1-1/4"	32	1 5/8"-12	27.5	70.8	52.3	41.2	50
KT-24T	1-1/2"	38	1 7/8"-12	33.3	85.9	59.2	47.6	57.2
KT-32T	2"	50	2 1/2"-12	45.0	105.2	77.7	63.5	75

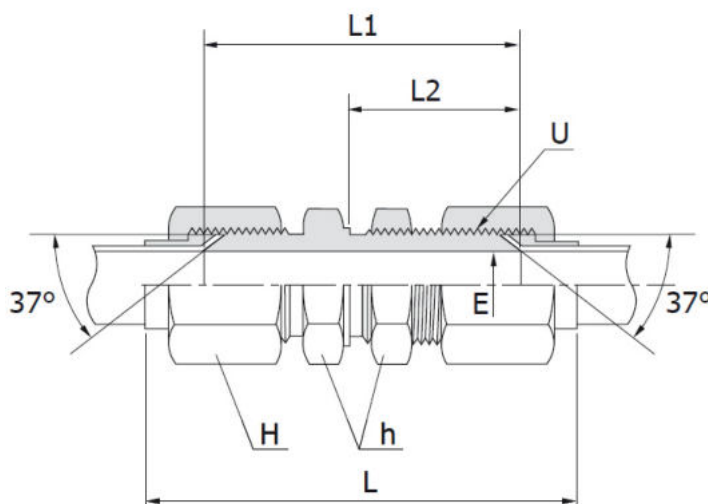
Union Cross
KX



Tube to Tube Union

Part No.	Tube O.D.		U (UNF)	E	L	L1	h (HEX)	H (HEX)
	Inch	Metric						
KX-2T	1/8"	3	5/16"-24	1.6	27.4	19.6	11.1	9.5
KX-3T	3/16"	4	3/8"-24	3.2	30.5	21.1	11.1	11.0
KX-4T	1/4"	6	7/16"-20	4.4	31.7	22.6	11.1	14.2
KX-5T	5/16"	8	1/2"-20	6.0	34.5	24.1	14.2	15.8
KX-6T	3/8"	10	9/16"-18	7.5	38.8	26.9	14.2	17.4
KX-8T	1/2"	12	3/4"-16	9.9	44.5	31.8	19.1	22.2
KX-10T	5/8"	16	7/8"-14	12.3	53.4	36.8	22.2	25.4
KX-12T	3/4"	18, 20	1 1/16"-12	15.5	57.7	42.2	27.0	31.7
KX-14T	7/8"	22	1 3/16"-12	18.0	63.3	45.7	33.3	34.9
KX-16T	1"	25	1 5/16"-12	21.5	65.0	46.0	34.9	38.1
KX-20T	1-1/4"	32	1 5/8"-12	27.5	70.8	52.3	41.2	50
KX-24T	1-1/2"	38	1 7/8"-12	33.3	85.9	59.2	47.6	57.2
KX-32T	2"	50	2 1/2"-12	45.0	105.2	77.7	63.5	75

Bulkhead Union
KUB

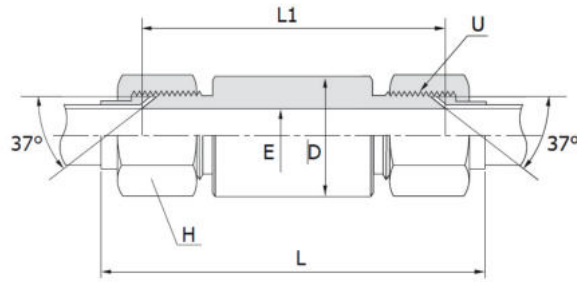
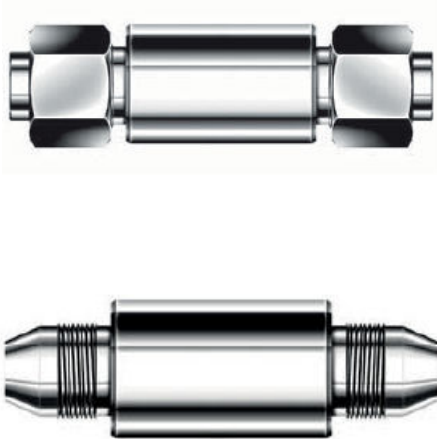


Tube to Tube Union

Part No.	Tube O.D.		U (UNF)	E	L	L1	L2	h (HEX)	H (HEX)
	Inch	Metric							
KUB-2T	1/8"	3	5/16"-24	1.6	63.1	47.5	28.2	14.2	9.5
KUB-3T	3/16"	4	3/8"-24	3.2	67.1	48.3	28.2	15.8	11.1
KUB-4T	1/4"	6	7/16"-20	4.4	70.8	52.6	30.5	17.4	14.2
KUB-5T	5/16"	8	1/2"-20	6.0	73.4	52.6	30.5	19.1	15.8
KUB-6T	3/8"	10	9/16"-18	7.5	79.2	55.4	32.5	20.6	17.4
KUB-8T	1/2"	12	3/4"-16	9.9	87.4	62.0	36.6	25.4	22.2
KUB-10T	5/8"	16	7/8"-14	12.3	102.8	69.6	40.1	28.5	25.4
KUB-12T	3/4"	18, 20	1 1/16"-12	15.5	109.5	78.5	44.4	34.9	31.7
KUB-14T	7/8"	22	1 3/16"-12	18.0	114.4	79.2	44.4	38.1	34.9
KUB-16T	1"	25	1 5/16"-12	21.5	117.8	79.8	44.4	41.2	38.1
KUB-20T	1-1/4"	32	1 5/8"-12	27.5	121.1	84.1	45.7	47.6	50
KUB-24T	1-1/2"	38	1 7/8"-12	33.3	142.8	89.4	46.0	53.9	57.2
KUB-32T	2"	50	2 1/2"-12	45.0	161.7	106.7	53.1	69.8	75

Weld Bulkhead Union

KBUW

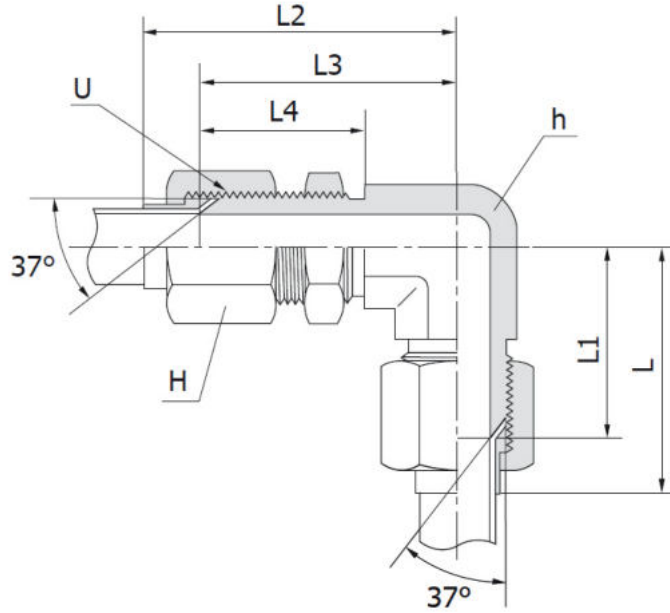


Tube to Tube Union

Part No.	Tube O.D.		U (UNF)	E	D	L	L1	H (HEX)
	Inch	Metric						
KBUW-2T	1/8"	3	5/16"-24	1.6	11.0	85.6	70.0	9.5
KBUW-3T	3/16"	4	3/8"-24	3.2	11.0	88.8	70.0	11.1
KBUW-4T	1/4"	6	7/16"-20	4.4	14.0	98.2	80.0	14.2
KBUW-5T	5/16"	8	1/2"-20	6.0	16.0	120.8	100.0	15.8
KBUW-6T	3/8"	10	9/16"-18	7.5	17.0	123.8	100.0	17.4
KBUW-8T	1/2"	12	3/4"-16	9.9	22.0	125.4	100.0	22.2
KBUW-10T	5/8"	16	7/8"-14	12.3	25.0	143.2	110.0	25.4
KBUW-12T	3/4"	18, 20	1 1/16"-12	15.5	30.0	151.0	120.0	31.7
KBUW-14T	7/8"	22	1 3/16"-12	18.0	32.0	165.2	130.0	34.9
KBUW-16T	1"	25	1 5/16"-12	21.5	40.0	168.0	130.0	38.1
KBUW-20T	1-1/4"	32	1 5/8"-12	27.5	46.0	177.0	140.0	50
KBUW-24T	1-1/2"	38	1 7/8"-12	33.3	50.0	193.4	140.0	57.2
KBUW-32T	2"	50	2 1/2"-12	45.0	70.0	205.0	150.0	75

Bulkhead Union Elbow

KBL

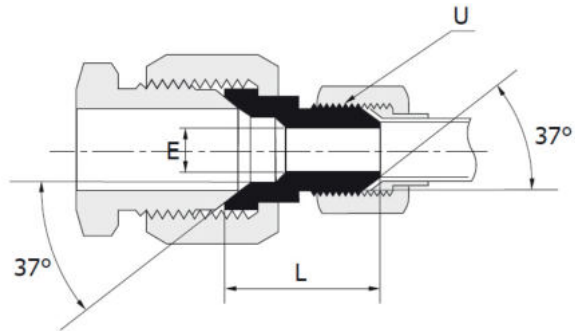


Tube to Tube Union

Part No.	Tube O.D.		U (UNF)	L	L1	L2	L3	L4	h (HEX)	H (HEX)
	Inch	Metric								
KBL-2T	1/8"	3	5/16"-24	30.2	22.4	45.9	38.1	23.4	11.1	9.5
KBL-3T	3/16"	4	3/8"-24	33.3	23.9	47.5	38.1	23.4	11.1	11.1
KBL-4T	1/4"	6	7/16"-20	33.7	24.6	49.5	40.4	25.9	11.1	14.2
KBL-5T	5/16"	8	1/2"-20	37.3	26.9	54.1	43.7	25.9	14.2	15.8
KBL-6T	3/8"	10	9/16"-18	39.6	27.7	57.9	46.0	27.7	14.2	17.4
KBL-8T	1/2"	12	3/4"-16	47.2	34.5	66.3	53.6	31.8	19.1	22.2
KBL-10T	5/8"	16	7/8"-14	56.2	39.6	77.3	60.7	35.8	22.2	25.4
KBL-12T	3/4"	18, 20	1 1/16"-12	60.7	45.2	83.1	67.6	39.6	27.0	31.7
KBL-14T	7/8"	22	1 3/16"-12	66.4	48.8	88.7	71.1	39.6	33.3	34.9
KBL-16T	1"	25	1 5/16"-12	68.3	49.3	90.1	71.1	39.6	33.3	38.1
KBL-20T	1-1/4"	32	1 5/8"-12	73.6	55.1	97.7	79.2	40.9	41.2	50.8
KBL-24T	1-1/2"	38	1 7/8"-12	86.1	59.4	113.6	86.9	41.1	47.6	57.1
KBL-32T	2"	50	2 1/2"-12	100.9	73.4	131.9	104.4	48.5	63.5	73.0

Fitting Port Reducer

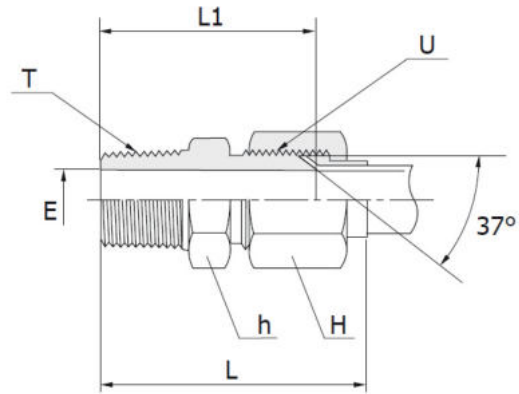
KPR



Tube Port to Tube Port

Part No.	Reducing Tube O.D	U (UNF)	E	L
KPR6T-4T	3/8" X 1/4"	7/16"-20	4.4	24.6
KPR8T-4T	1/2" X 1/4"	7/16"-20	4.4	25.4
KPR8T-6T	1/2" X 3/8"	9/16"-18	7.5	25.4
KPR10T-4T	5/8" X 1/4"	7/16"-20	4.4	26.2
KPR10T-6T	5/8" X 3/8"	9/16"-18	7.5	26.2
KPR12T-4T	3/4" X 1/4"	7/16"-20	4.4	27.7
KPR12T-6T	3/4" X 3/8"	9/16"-18	7.5	27.7
KPR12T-8T	3/4" X 1/2"	3/4"-16	10.0	30.2
KPR16T-12T	1" X 3/4"	1-1/16"-12	15.5	37.3
KPR20T-12T	1-1/4" X 3/4"	1-1/16"-12	15.5	38.3
KPR20T-16T	1-1/4" X 1"	1-5/16"-12	21.5	40.3
KPR24T-20T	1-1/2" X 1-1/4"	15/8"-12	27.5	42.9

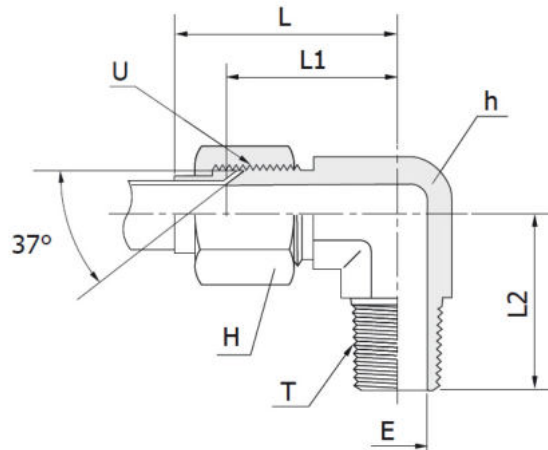
Male Connector
KMC



Tube to Male Pipe

Part No.	Tube O.D.		T (NPT)	U (UNF)	E	L	L1	h (HEX)	H (HEX)
	Inch	Metric							
KMC2T-2N	1/8"	3	1/8"	5/16"-24	1.6	36.0	28.2	11.1	9.5
KMC3T-2N	3/16"	4	1/8"	3/8"-24	3.2	38.4	29.0	11.1	11.1
KMC4T-2N	1/4"	6	1/8"	7/16"-20	4.4	40.1	31.0	12.7	14.2
KMC5T-2N	5/16"	8	1/8"	1/2"-20	6.0	41.4	31.0	14.2	15.8
KMC6T-4N	3/8"	10	1/4"	9/16"-18	7.5	48.2	36.3	15.8	17.4
KMC8T-6N	1/2"	12	3/8"	3/4"-16	9.9	51.6	38.9	20.6	22.2
KMC10T-8N	5/8"	16	1/2"	7/8"-14	12.3	64.6	48.0	20.6	25.4
KMC12T-12N	3/4"	18, 20	3/4"	1 1/16"-12	15.5	67.8	52.3	28.5	31.7
KMC14T-12N	7/8"	22	3/4"	1 3/16"-12	18.0	70.7	53.1	31.7	34.9
KMC16T-16N	1"	25	1"	1 5/16"-12	21.5	77.4	58.4	34.9	38.1
KMC20T-20N	1-1/4"	32	1-1/4"	1 5/8"-12	27.5	80.7	62.2	42.8	50
KMC24T-24N	1-1/2"	38	1-1/2"	1 7/8"-12	33.3	94.8	68.1	50.8	57.2
KMC32T-32N	2"	50	2"	2 1/2"-12	45.0	106.5	79.0	66.6	75

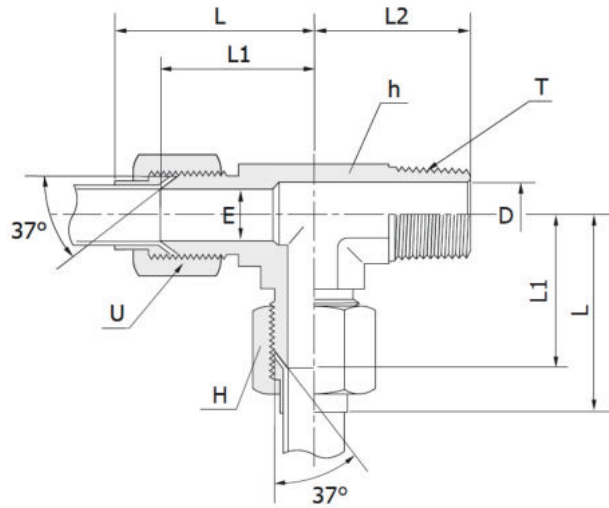
Male Elbow
KLM



Tube to Male Pipe

Part No.	Tube O.D.		T (NPT)	U (UNF)	E	L	L1	L2	h (HEX)	H (HEX)
	Inch	Metric								
KLM2T-2N	1/8"	3	1/8"	5/16"-24	1.6	27.4	19.6	18.3	11.1	9.5
KLM3T-2N	3/16"	4	1/8"	3/8"-24	3.2	30.5	21.1	18.3	11.1	11.1
KLM4T-2N	1/4"	6	1/8"	7/16"-20	4.4	31.7	22.6	19.8	11.1	14.2
KLM5T-2N	5/16"	8	1/8"	1/2"-20	6.0	34.5	24.1	19.8	14.2	15.8
KLM6T-4N	3/8"	10	1/4"	9/16"-18	7.5	38.8	26.9	27.7	14.2	17.4
KLM8T-6N	1/2"	12	3/8"	3/4"-16	9.9	44.5	31.8	31.0	19.1	22.2
KLM10T-8N	5/8"	16	1/2"	7/8"-14	12.3	53.4	36.8	37.3	22.2	25.4
KLM12T-12N	3/4"	18, 20	3/4"	1 1/16"-12	15.5	57.7	42.2	40.4	27.0	31.7
KLM14T-12N	7/8"	22	3/4"	1 3/16"-12	18.0	63.3	45.7	42.9	33.3	34.9
KLM16T-16N	1"	25	1"	1 5/16"-12	21.5	65.0	46.0	50.0	33.3	38.1
KLM20T-20N	1-1/4"	32	1-1/4"	1 5/8"-12	27.5	70.8	52.3	60.5	41.2	50
KLM24T-24N	1-1/2"	38	1-1/2"	1 7/8"-12	33.3	85.9	59.2	67.1	47.6	57.2
KLM32T-32N	2"	50	2"	2 1/2"-12	45.0	105.2	77.7	76.2	63.5	75

Male Run Tee
KTRM

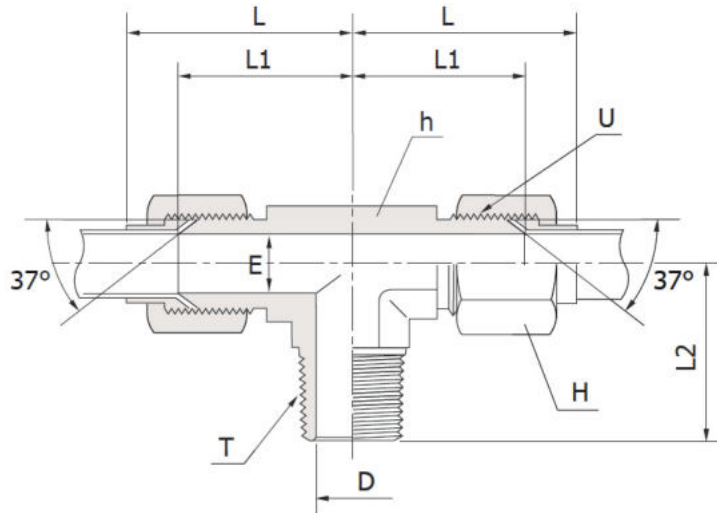


Tube to Male Pipe

Part No.	Tube O.D.		T (NPT)	U (UNF)	E	D	L	L1	L2	h (HEX)	H (HEX)
	Inch	Metric									
KTRM2T-2N	1/8"	3	1/8"	5/16"-24	1.6	4.8	27.4	19.6	18.3	11.1	9.5
KTRM3T-2N	3/16"	4	1/8"	3/8"-24	3.2	4.8	30.5	21.1	18.3	11.1	11.1
KTRM4T-2N	1/4"	6	1/8"	7/16"-20	4.4	4.8	31.7	22.6	19.8	11.1	14.2
KTRM5T-2N	5/16"	8	1/8"	1/2"-20	6.0	4.8	34.5	24.1	19.8	14.2	15.8
KTRM6T-4N	3/8"	10	1/4"	9/16"-18	7.5	7.0	38.8	26.9	27.7	14.2	17.4
KTRM8T-6N	1/2"	12	3/8"	3/4"-16	9.9	10.3	44.5	31.8	31.0	19.1	22.2
KTRM10T-8N	5/8"	16	1/2"	7/8"-14	12.3	13.5	53.4	36.8	37.3	22.2	25.4
KTRM12T-12N	3/4"	18, 20	3/4"	1 1/16"-12	15.5	18.0	57.7	42.2	40.4	27.0	31.7
KTRM14T-12N	7/8"	22	3/4"	1 3/16"-12	18.0	18.0	63.3	45.7	42.9	33.3	34.9
KTRM16T-16N	1"	25	1"	1 5/16"-12	21.5	23.8	65.0	46.0	50.0	33.3	38.1
KTRM20T-20N	1-1/4"	32	1-1/4"	1 5/8"-12	27.5	31.7	70.8	52.3	60.5	41.2	50
KTRM24T-24N	1-1/2"	38	1-1/2"	1 7/8"-12	33.3	38.0	85.9	59.2	67.1	47.6	57.2
KTRM32T-32N	2"	50	2"	2 1/2"-12	45.0	49.0	105.2	77.7	76.2	63.5	75

Male Branch Tee

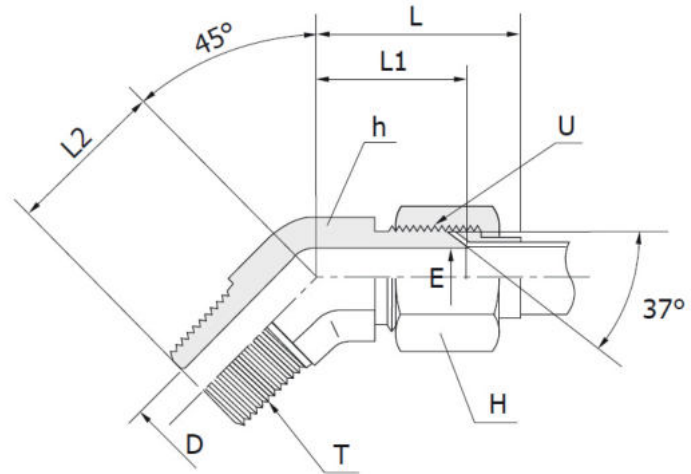
KTBM



Tube to Male Pipe

Part No.	Tube O.D.		T (NPT)	U (UNF)	E	D	L	L1	L2	h (HEX)	H (HEX)
	Inch	Metric									
KTBM2T-2N	1/8"	3	1/8"	5/16"-24	1.6	4.8	27.4	19.6	18.3	11.1	9.5
KTBM3T-2N	3/16"	4	1/8"	3/8"-24	3.2	4.8	30.5	21.1	18.3	11.1	11.1
KTBM4T-2N	1/4"	6	1/8"	7/16"-20	4.4	4.8	31.7	22.6	19.8	11.1	14.2
KTBM5T-2N	5/16"	8	1/8"	1/2"-20	6.0	4.8	34.5	24.1	19.8	14.2	15.8
KTBM6T-4N	3/8"	10	1/4"	9/16"-18	7.5	7.0	38.8	26.9	27.7	14.2	17.4
KTBM8T-6N	1/2"	12	3/8"	3/4"-16	9.9	10.3	44.5	31.8	31.0	19.1	22.2
KTBM10T-8N	5/8"	16	1/2"	7/8"-14	12.3	13.5	53.4	36.8	37.3	22.2	25.4
KTBM12T-12N	3/4"	18, 20	3/4"	1 1/16"-12	15.5	18.0	57.7	42.2	40.4	27.0	31.7
KTBM14T-12N	7/8"	22	3/4"	1 3/16"-12	18.0	18.0	63.3	45.7	42.9	33.3	34.9
KTBM16T-16N	1"	25	1"	1 5/16"-12	21.5	23.8	65.0	46.0	50.0	33.3	38.1
KTBM20T-20N	1-1/4"	32	1-1/4"	1 5/8"-12	27.5	31.7	70.8	52.3	60.5	41.2	50
KTBM24T-24N	1-1/2"	38	1-1/2"	1 7/8"-12	33.3	38.0	85.9	59.2	67.1	47.6	57.2
KTBM32T-32N	2"	50	2"	2 1/2"-12	45.0	49.0	105.2	77.7	76.2	63.5	75

45° Male Elbow
KLBM

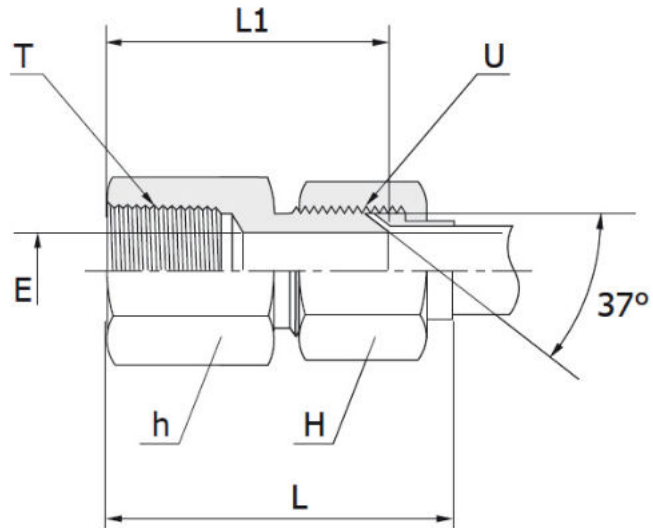


Tube to Male Pipe

Part No.	Tube O.D.		T (NPT)	U (UNF)	E	D	L	L1	L2	h (HEX)	H (HEX)
	Inch	Metric									
KLBM2T-2N	1/8"	3	1/8"	5/16"-24	1.6	1.6	25.3	17.5	13.2	11.1	9.5
KLBM3T-2N	3/16"	4	1/8"	3/8"-24	3.2	3.2	26.9	17.5	13.2	11.1	11.1
KLBM4T-2N	1/4"	6	1/8"	7/16"-20	4.4	4.4	27.4	18.3	16.3	11.1	14.2
KLBM5T-2N	5/16"	8	1/8"	1/2"-20	6.0	6.0	30.0	19.6	16.3	14.2	15.8
KLBM6T-4N	3/8"	10	1/4"	9/16"-18	7.5	7.5	33.0	21.1	21.8	14.2	17.4
KLBM8T-6N	1/2"	12	3/8"	3/4"-16	9.9	9.9	37.6	24.9	24.1	19.1	22.2
KLBM10T-8N	5/8"	16	1/2"	7/8"-14	12.3	12.3	44.8	28.2	29.7	22.2	25.4
KLBM12T-12N	3/4"	18, 20	3/4"	1 1/16"-12	15.5	15.5	48.0	32.5	30.5	27.0	31.7
KLBM14T-12N	7/8"	22	3/4"	1 3/16"-12	18.0	18.0	54.4	36.8	33.3	33.3	34.9
KLBM16T-16N	1"	25	1"	1 5/16"-12	21.5	21.5	56.3	37.3	37.6	35.0	38.1
KLBM20T-20N	1-1/4"	32	1-1/4"	1 5/8"-12	27.5	27.5	58.9	40.4	42.4	41.2	50
KLBM24T-24N	1-1/2"	38	1-1/2"	1 7/8"-12	33.3	33.3	71.9	45.2	45.0	47.6	57.2
KLBM32T-32N	2"	50	2"	2 1/2"-12	45.0	45.0	83.9	56.4	53.6	63.5	75

Female Connector

KCF

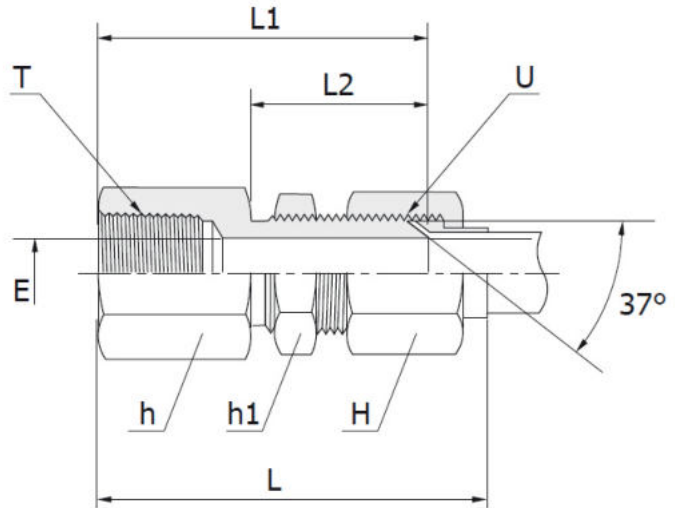


Tube to Female Pipe

Part No.	Tube O.D.		T (NPT)	U (UNF)	E	L	L1	h (HEX)	H (HEX)
	Inch	Metric							
KCF2T-2N	1/8"	3	1/8"	5/16"-24	1.6	36.2	28.4	14.2	9.5
KCF3T-2N	3/16"	4	1/8"	3/8"-24	3.2	38.1	28.7	14.2	11.1
KCF4T-2N	1/4"	6	1/8"	7/16"-20	4.4	39.3	30.2	14.2	14.2
KCF5T-2N	5/16"	8	1/8"	1/2"-20	6.0	40.1	29.7	14.2	15.8
KCF6T-4N	3/8"	10	1/4"	9/16"-18	7.5	47.5	35.6	19.1	17.4
KCF8T-6N	1/2"	12	3/8"	3/4"-16	9.9	52.3	39.6	22.2	22.2
KCF10T-8N	5/8"	16	1/2"	7/8"-14	12.3	64.6	48.0	28.5	25.4
KCF12T-12N	3/4"	18, 20	3/4"	1 1/16"-12	15.5	67.8	52.3	34.9	31.7
KCF14T-12N	7/8"	22	3/4"	1 3/16"-12	18.0	69.9	52.3	34.9	34.9
KCF16T-16N	1"	25	1"	1 5/16"-12	21.5	78.7	59.7	41.2	38.1
KCF20T-20N	1-1/4"	32	1-1/4"	1 5/8"-12	27.5	81.7	63.2	50.8	50
KCF24T-24N	1-1/2"	38	1-1/2"	1 7/8"-12	33.3	93.2	66.5	60.3	57.2
KCF32T-32N	2"	50	2"	2 1/2"-12	45.0	102.9	75.4	73.0	75

Bulkhead Female Connector

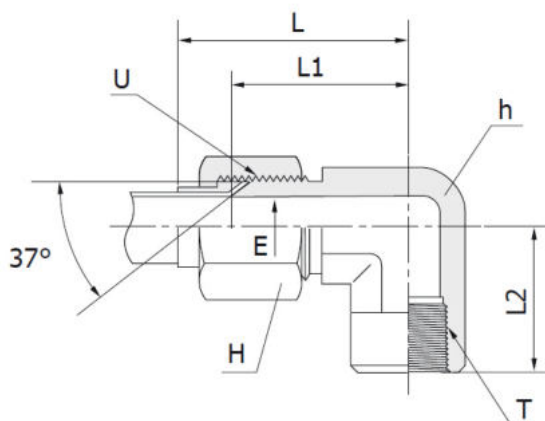
KCBF



Tube to Female Pipe

Part No.	Tube O.D.		T (NPT)	U (UNF)	E	L	L1	L2	h (HEX)	h1 (HEX)	H (HEX)
	Inch	Metric									
KCBF2T-2N	1/8"	3	1/8"	5/16"-24	1.6	49.0	41.2	28.2	14.2	14.2	9.5
KCBF3T-2N	3/16"	4	1/8"	3/8"-24	3.2	50.6	41.2	28.2	14.2	15.8	11.1
KCBF4T-2N	1/4"	6	1/8"	7/16"-20	4.4	52.6	46.7	30.5	17.4	17.4	14.2
KCBF5T-2N	5/16"	8	1/8"	1/2"-20	6.0	53.9	43.5	30.5	19.1	19.1	15.8
KCBF6T-4N	3/8"	10	1/4"	9/16"-18	7.5	62.5	52.3	32.5	20.6	20.6	17.4
KCBF8T-6N	1/2"	12	3/8"	3/4"-16	9.9	69.3	54.4	36.6	25.4	25.4	22.2
KCBF10T-8N	5/8"	16	1/2"	7/8"-14	12.3	82.7	67.5	40.1	28.5	28.5	25.4
KCBF12T-12N	3/4"	18, 20	3/4"	1 1/16"-12	15.5	86.0	73.9	44.4	34.9	34.9	31.7
KCBF14T-12N	7/8"	22	3/4"	1 3/16"-12	18.0	89.0	73.4	44.4	38.1	38.1	34.9
KCBF16T-16N	1"	25	1"	1 5/16"-12	21.5	94.4	78.5	44.4	41.2	41.2	38.1
KCBF20T-20N	1-1/4"	32	1-1/4"	1 5/8"-12	27.5	99.2	80.7	45.7	50.8	47.6	50
KCBF24T-24N	1-1/2"	38	1-1/2"	1 7/8"-12	33.3	107.7	85.1	46.0	53.9	53.9	57.2
KCBF32T-32N	2"	50	2"	2 1/2"-12	45.0	120.6	93.1	53.1	75	69.8	75

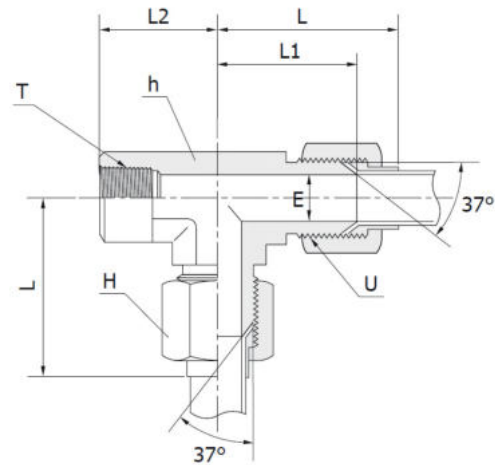
Female Elbow
KLF



Tube to Female Pipe

Part No.	Tube O.D.		T (NPT)	U (UNF)	E	L	L1	L2	h (HEX)	H (HEX)
	Inch	Metric								
KLF2T-2N	1/8"	3	1/8"	5/16"-24	1.6	33.2	25.4	16.8	14.2	9.5
KLF3T-2N	3/16"	4	1/8"	3/8"-24	3.2	35.6	26.2	16.8	14.2	11.1
KLF4T-2N	1/4"	6	1/8"	7/16"-20	4.4	36.5	27.4	16.8	14.2	14.2
KLF5T-2N	5/16"	8	1/8"	1/2"-20	6.0	37.8	27.4	16.8	14.2	15.8
KLF6T-4N	3/8"	10	1/4"	9/16"-18	7.5	43.1	31.2	22.4	19.1	17.4
KLF8T-6N	1/2"	12	3/8"	3/4"-16	9.9	48.8	36.1	25.9	22.2	22.2
KLF10T-8N	5/8"	16	1/2"	7/8"-14	12.3	58.3	41.7	31.2	27.0	25.4
KLF12T-12N	3/4"	18, 20	3/4"	1 1/16"-12	15.5	63.5	48.0	34.5	33.3	31.7
KLF14T-12N	7/8"	22	3/4"	1 3/16"-12	18.0	64.8	47.2	36.1	33.3	34.9
KLF16T-16N	1"	25	1"	1 5/16"-12	21.5	74.1	55.1	41.1	41.2	38.1
KLF20T-20N	1-1/4"	32	1-1/4"	1 5/8"-12	27.5	77.7	59.2	43.2	47.6	50
KLF24T-24N	1-1/2"	38	1-1/2"	1 7/8"-12	33.3	100.1	73.4	52.8	65.1	57.2
KLF32T-32N	2"	50	2"	2 1/2"-12	45.0	111.3	83.8	60.7	71.4	75

Female Run Tee
KTRF

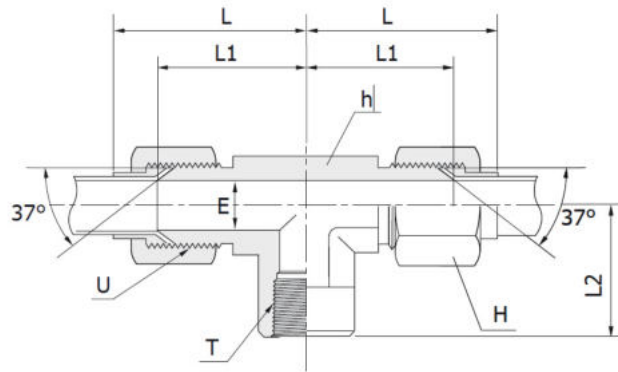
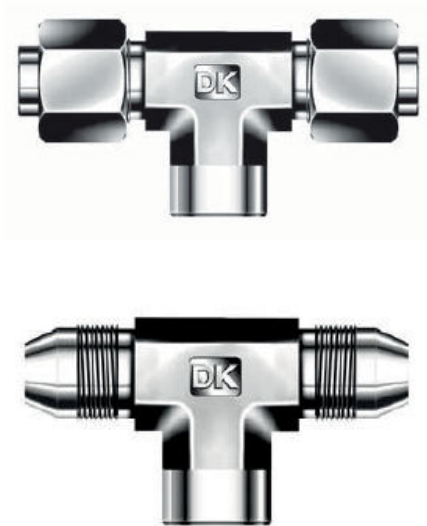


Tube to Female Pipe

Part No.	Tube O.D.		T (NPT)	U (UNF)	E	L	L1	L2	h (HEX)	H (HEX)
	Inch	Metric								
KTRF2T-2N	1/8"	3	1/8"	5/16"-24	1.6	33.2	25.4	16.8	14.2	9.5
KTRF3T-2N	3/16"	4	1/8"	3/8"-24	3.2	35.6	26.2	16.8	14.2	11.1
KTRF4T-2N	1/4"	6	1/8"	7/16"-20	4.4	36.5	27.4	16.8	14.2	14.2
KTRF5T-2N	5/16"	8	1/8"	1/2"-20	6.0	37.8	27.4	16.8	14.2	15.8
KTRF6T-4N	3/8"	10	1/4"	9/16"-18	7.5	43.1	31.2	22.4	19.1	17.4
KTRF8T-6N	1/2"	12	3/8"	3/4"-16	9.9	48.8	36.1	25.9	22.2	22.2
KTRF10T-8N	5/8"	16	1/2"	7/8"-14	12.3	58.3	41.7	31.2	27.0	25.4
KTRF12T-12N	3/4"	18, 20	3/4"	1 1/16"-12	15.5	63.5	48.0	34.5	33.3	31.7
KTRF14T-12N	7/8"	22	3/4"	1 3/16"-12	18.0	64.8	47.2	36.1	33.3	34.9
KTRF16T-16N	1"	25	1"	1 5/16"-12	21.5	74.1	55.1	41.1	41.2	38.1
KTRF20T-20N	1-1/4"	32	1-1/4"	1 5/8"-12	27.5	77.7	59.2	43.2	47.6	50
KTRF24T-24N	1-1/2"	38	1-1/2"	1 7/8"-12	33.3	100.1	73.4	52.8	65.1	57.2
KTRF32T-32N	2"	50	2"	2 1/2"-12	45.0	111.3	83.8	60.7	71.4	75

Female Branch Tee

KTBF

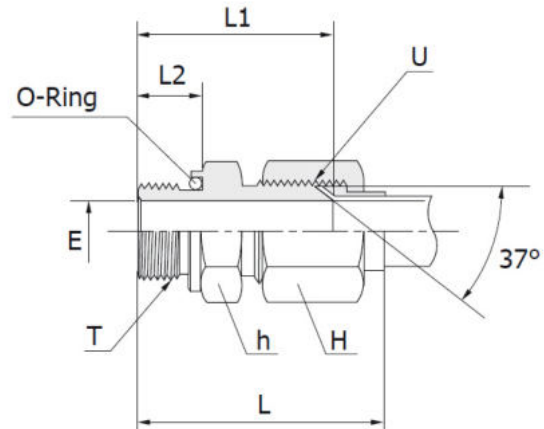


Tube to Female Pipe

Part No.	Tube O.D.		T (NPT)	U (UNF)	E	L	L1	L2	h (HEX)	H (HEX)
	Inch	Metric								
KTBF2T-2N	1/8"	3	1/8"	5/16"-24	1.6	33.2	25.4	16.8	14.2	9.5
KTBF3T-2N	3/16"	4	1/8"	3/8"-24	3.2	35.6	26.2	16.8	14.2	11.1
KTBF4T-2N	1/4"	6	1/8"	7/16"-20	4.4	36.5	27.4	16.8	14.2	14.2
KTBF5T-2N	5/16"	8	1/8"	1/2"-20	6.0	37.8	27.4	16.8	14.2	15.8
KTBF6T-4N	3/8"	10	1/4"	9/16"-18	7.5	43.1	31.2	22.4	19.1	17.4
KTBF8T-6N	1/2"	12	3/8"	3/4"-16	9.9	48.8	36.1	25.9	22.2	22.2
KTBF10T-8N	5/8"	16	1/2"	7/8"-14	12.3	58.3	41.7	31.2	27.0	25.4
KTBF12T-12N	3/4"	18, 20	3/4"	1 1/16"-12	15.5	63.5	48.0	34.5	33.3	31.7
KTBF14T-12N	7/8"	22	3/4"	1 3/16"-12	18.0	64.8	47.2	36.1	33.3	34.9
KTBF16T-16N	1"	25	1"	1 5/16"-12	21.5	74.1	55.1	41.1	41.2	38.1
KTBF20T-20N	1-1/4"	32	1-1/4"	1 5/8"-12	27.5	77.7	59.2	43.2	47.6	50
KTBF24T-24N	1-1/2"	38	1-1/2"	1 7/8"-12	33.3	100.1	73.4	52.8	65.1	57.2
KTBF32T-32N	2"	50	2"	2 1/2"-12	45.0	111.3	83.8	60.7	71.4	75

O-Seal G Male Connector

KMC-GO

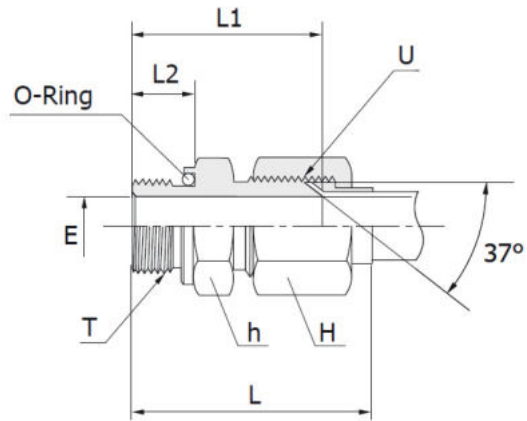


Tube to Straight Thread

Part No.	Tube O.D.		T (PF)	U (UNF)	E	L	L1	L2	h (HEX)	H (HEX)
	Inch	Metric								
KMC2T-2GO	1/8"	3	1/8"	5/16"-24	1.6	35.3	27.5	8.0	11.1	9.5
KMC3T-2GO	3/16"	4	1/8"	3/8"-24	3.2	37.9	28.5	8.0	12.7	11.0
KMC4T-2GO	1/4"	6	1/8"	7/16"-20	4.4	39.3	30.2	8.0	14.2	14.2
KMC5T-2GO	5/16"	8	1/8"	1/2"-20	6.0	40.6	30.2	8.0	15.8	16.0
KMC6T-4GO	3/8"	10	1/4"	9/16"-18	7.5	46.9	35.0	12.0	17.4	17.4
KMC8T-6GO	1/2"	12	3/8"	3/4"-16	9.9	51.4	38.7	12.0	22.2	22.2
KMC10T-8GO	5/8"	16	1/2"	7/8"-14	12.3	61.1	44.5	14.0	25.4	25.4
KMC12T-12GO	3/4"	18, 20	3/4"	1 1/16"-12	15.5	66.4	50.9	16.0	31.7	32.0
KMC14T-12GO	7/8"	22	3/4"	1 3/16"-12	18.0	69.0	51.4	16.0	34.9	35.0
KMC16T-16GO	1"	25	1"	1 5/16"-12	21.5	71.7	52.7	18.0	38.0	38.0
KMC20T-20GO	1-1/4"	32	1-1/4"	1 5/8"-12	37.5	78.5	60.0	20.0	42.8	50.8
KMC24T-24GO	1-1/2"	38	1-1/2"	1 7/8"-12	33.0	92.8	66.1	21.0	55.0	57.0
KMC32T-32GO	2"	50	2"	2 1/2"-12	45.0	108.0	80.5	25.0	70.0	73.0

O-Seal UNF Male Connector

KMCS-U

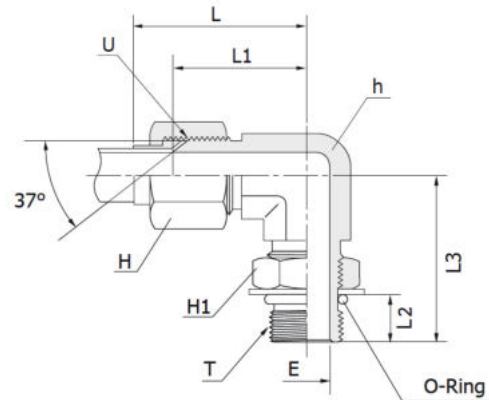


Tube to Straight Thread

Part No.	Tube O.D.		T (UNF)	U (UNF)	E	L	L1	L2	h (HEX)	H (HEX)
	Inch	Metric								
KMCS2T-2U	1/8"	3	5/16"-24	5/16"-24	1.6	34.7	26.9	7.5	11.1	9.5
KMCS3T-3U	3/16"	4	3/8"-24	3/8"-24	3.2	37.3	27.9	7.5	12.7	11.1
KMCS4T-4U	1/4"	6	7/16"-20	7/16"-20	4.4	40.3	31.2	9.1	14.2	14.2
KMCS5T-5U	5/16"	8	1/2"-20	1/2"-20	6.0	41.6	31.2	9.1	15.8	15.8
KMCS6T-6U	3/8"	10	9/16"-18	9/16"-18	7.5	44.9	33.0	9.9	17.4	17.4
KMCS8T-8U	1/2"	12	3/4"-16	3/4"-16	9.9	50.3	37.6	11.1	22.2	22.2
KMCS10T-10U	5/8"	16	7/8"-14	7/8"-14	12.3	59.8	43.2	12.7	25.4	25.4
KMCS12T-12U	3/4"	18, 20	1 1/16"-12	1 1/16"-12	15.5	65.5	50.0	15.1	31.7	31.7
KMCS14T-14U	7/8"	22	1 3/16"-12	1 3/16"-12	18.0	68.1	50.5	15.1	34.9	34.9
KMCS16T-16U	1"	25	1 5/16"-12	1 5/16"-12	21.5	70.8	51.8	15.1	38.1	38.1
KMCS20T-20U	1-1/4"	32	1 5/8"-12	1 5/8"-12	27.5	73.6	55.1	15.1	47.6	50
KMCS24T-24U	1-1/2"	38	1 7/8"-12	1 7/8"-12	33.3	86.9	60.2	15.1	53.9	57.2
KMCS32T-32U	2"	50	2 1/2"-12	2 1/2"-12	45.0	98.1	70.6	15.1	69.8	75

O-Seal UNF Male Elbow

KLS-UP

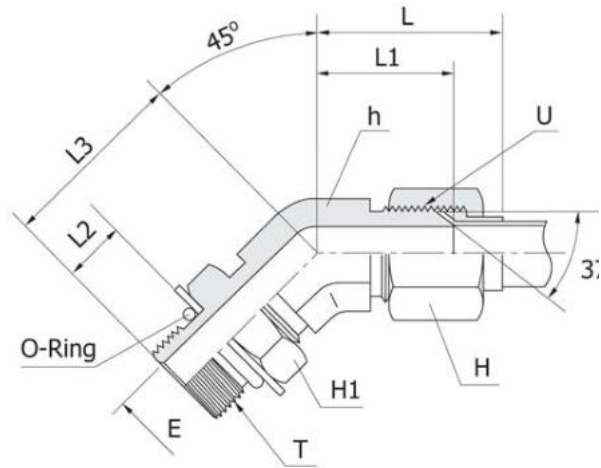


Tube to Straight Thread

Part No.	Tube O.D.		T (UNF)	U (UNF)	E	L	L1	L2	L3	h (HEX)	H (HEX)	H1 (HEX)
	Inch	Metric										
KLS2T-2UP	1/8"	3	5/16"-24	5/16"-24	1.6	27.4	19.6	8.4	23.9	11.1	9.5	11.1
KLS3T-3UP	3/16"	4	3/8"-24	3/8"-24	3.2	30.5	21.1	8.4	23.9	11.1	11.1	12.7
KLS4T-4UP	1/4"	6	7/16"-20	7/16"-20	4.4	31.7	22.6	9.8	26.2	11.1	14.2	14.2
KLS5T-5UP	5/16"	8	1/2"-20	1/2"-20	6.0	34.5	24.1	9.8	28.7	14.2	15.8	15.8
KLS6T-6UP	3/8"	10	9/16"-18	9/16"-18	7.5	38.8	26.9	11	31.8	14.2	17.4	17.4
KLS8T-8UP	1/2"	12	3/4"-16	3/4"-16	9.9	44.5	31.8	12.5	36.8	19.1	22.2	22.2
KLS10T-10UP	5/8"	16	7/8"-14	7/8"-14	12.3	53.4	36.8	14.3	43.2	22.2	25.4	25.4
KLS12T-12UP	3/4"	18, 20	1 1/16"-12	1 1/16"-12	15.5	57.7	42.2	16.5	49.3	27.0	31.7	31.7
KLS14T-14UP	7/8"	22	1 3/16"-12	1 3/16"-12	18.0	63.3	45.7	16.5	50.8	33.3	34.9	34.9
KLS16T-16UP	1"	25	1 5/16"-12	1 5/16"-12	21.5	65.0	46.0	16.5	52.1	33.3	38.1	38.1
KLS20T-20UP	1-1/4"	32	1 5/8"-12	1 5/8"-12	27.5	70.8	52.3	16.5	57.2	41.2	50	47.6
KLS24T-24UP	1-1/2"	38	1 7/8"-12	1 7/8"-12	33.3	85.9	59.2	16.5	60.7	47.6	57.2	53.9
KLS32T-32UP	2"	50	2 1/2"-12	2 1/2"-12	45.0	105.2	77.7	16.5	73.4	63.5	75	69.8

O-Seal 45° UNF Male Elbow

KLBS-UP

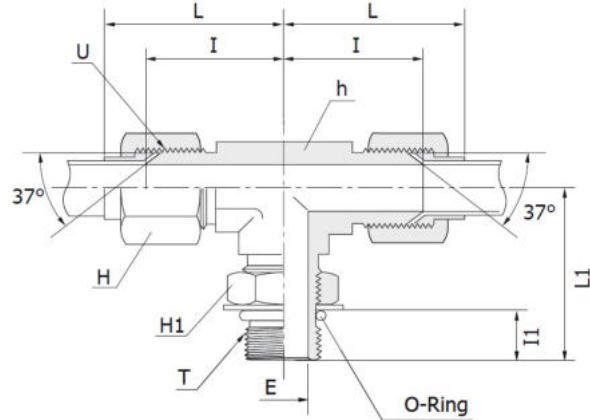


Tube to Straight Thread

Part No.	Tube O.D.		T (UNF)	U (UNF)	E	L	L1	L2	L3	h (HEX)	H (HEX)	H1 (HEX)
	Inch	Metric										
KLBS2T-2UP	1/8"	3	5/16"-24	5/16"-24	1.6	25.3	17.5	8.4	22.4	11.1	9.5	11.1
KLBS3T-3UP	3/16"	4	3/8"-24	3/8"-24	3.2	26.9	17.5	8.4	22.4	11.1	11.1	12.7
KLBS4T-4UP	1/4"	6	7/16"-20	7/16"-20	4.4	27.4	18.3	9.8	26.7	11.1	14.2	14.2
KLBS5T-5UP	5/16"	8	1/2"-20	1/2"-20	6.0	30.0	19.6	9.8	26.7	14.2	15.8	15.8
KLBS6T-6UP	3/8"	10	9/16"-18	9/16"-18	7.5	33.0	21.1	11	29	14.2	17.4	17.4
KLBS8T-8UP	1/2"	12	3/4"-16	3/4"-16	9.9	37.6	24.9	12.5	33	19.1	22.2	22.2
KLBS10T-10UP	5/8"	16	7/8"-14	7/8"-14	12.3	44.8	28.2	14.3	38.6	22.2	25.4	25.4
KLBS12T-12UP	3/4"	18, 20	1 1/16"-12	1 1/16"-12	15.5	48.0	32.5	16.5	43.9	27.0	31.7	31.7
KLBS14T-14UP	7/8"	22	1 3/16"-12	1 3/16"-12	18.0	54.4	36.8	16.5	47.2	33.3	34.9	34.9
KLBS16T-16UP	1"	25	1 5/16"-12	1 5/16"-12	21.5	56.3	37.3	16.5	47.2	33.3	38.1	38.1
KLBS20T-20UP	1-1/4"	32	1 5/8"-12	1 5/8"-12	27.5	58.9	40.4	16.5	48.5	41.2	50	47.6
KLBS24T-24UP	1-1/2"	38	1 7/8"-12	1 7/8"-12	33.3	71.9	45.2	16.5	48.5	47.6	57.0	53.9
KLBS32T-32UP	2"	50	2 1/2"-12	2 1/2"-12	45.0	83.9	56.4	16.5	47.2	63.5	73.0	69.8

O-Seal UNF Branch Tee

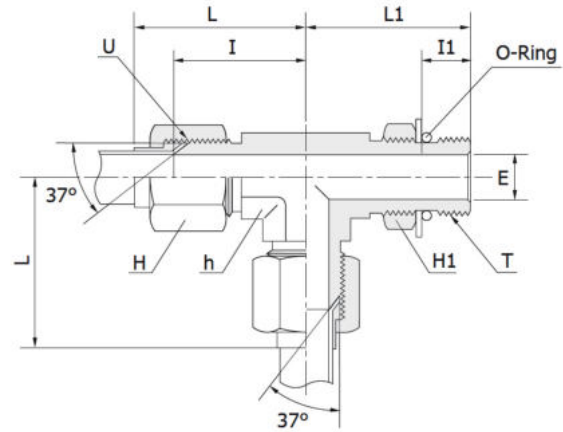
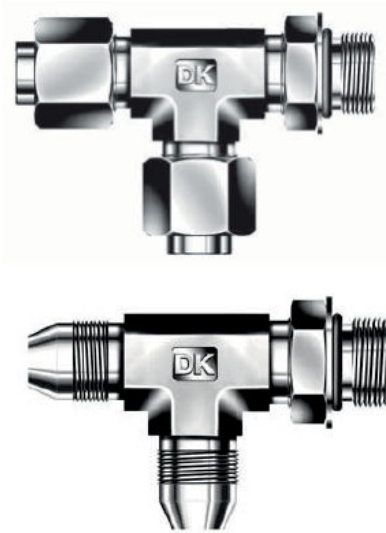
KTBS-UP



Tube to Straight Thread

Part No.	Tube O.D.		T (UNF)	U (UNF)	E	L	L1	I	I1	h (HEX)	H (HEX)	H1 (HEX)
	Inch	Metric										
KTBS2T-2UP	1/8"	3	5/16"-24	5/16"-24	1.6	27.4	23.9	19.6	8.4	11.1	9.5	11.1
KTBS3T-3UP	3/16"	4	3/8"-24	3/8"-24	3.2	30.5	23.9	21.1	8.4	11.1	11.1	12.7
KTBS4T-4UP	1/4"	6	7/16"-20	7/16"-20	4.4	31.7	26.2	22.6	9.8	11.1	14.2	14.2
KTBS5T-5UP	5/16"	8	1/2"-20	1/2"-20	6.0	34.5	28.7	24.1	9.8	14.2	15.8	15.8
KTBS6T-6UP	3/8"	10	9/16"-18	9/16"-18	7.5	38.8	31.8	26.9	11	14.2	17.4	17.4
KTBS8T-8UP	1/2"	12	3/4"-16	3/4"-16	9.9	44.5	36.8	31.8	12.5	19.1	22.2	22.2
KTBS10T-10UP	5/8"	16	7/8"-14	7/8"-14	12.3	53.4	43.2	36.8	14.3	22.2	25.4	25.4
KTBS12T-12UP	3/4"	18, 20	1 1/16"-12	1 1/16"-12	15.5	57.7	49.3	42.2	16.5	27.0	31.7	31.7
KTBS14T-14UP	7/8"	22	1 3/16"-12	1 3/16"-12	18.0	63.3	50.8	45.7	16.5	33.3	34.9	34.9
KTBS16T-16UP	1"	25	1 5/16"-12	1 5/16"-12	21.5	65.0	52.1	46.0	16.5	33.3	38.1	38.1
KTBS20T-20UP	1-1/4"	32	1 5/8"-12	1 5/8"-12	27.5	70.8	57.2	52.3	16.5	41.2	50	47.6
KTBS24T-24UP	1-1/2"	38	1 7/8"-12	1 7/8"-12	33.3	85.9	60.7	59.2	16.5	47.6	57.2	53.9
KTBS32T-32UP	2"	50	2 1/2"-12	2 1/2"-12	45.0	105.2	73.4	77.7	16.5	63.5	75	69.8

O-Seal UNF Run Tee
KTRS-UP

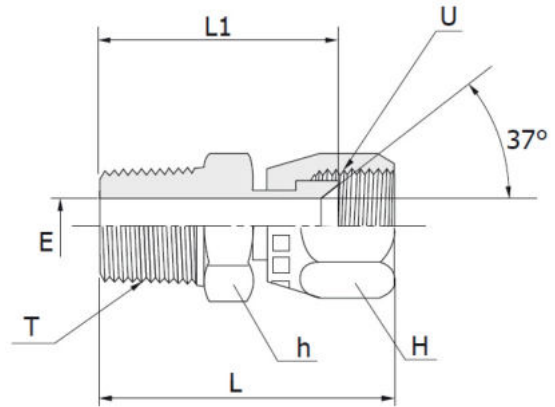


Tube to Straight Thread

Part No.	Tube O.D.		T (UNF)	U (UNF)	E	L	L1	I	I1	h (HEX)	H (HEX)	H1 (HEX)
	Inch	Metric										
KTRS2T-2UP	1/8"	3	5/16"-24	5/16"-24	1.6	27.4	23.9	19.6	8.4	11.1	9.5	11.1
KTRS3T-3UP	3/16"	4	3/8"-24	3/8"-24	3.2	30.5	23.9	21.1	8.4	11.1	11.1	12.7
KTRS4T-4UP	1/4"	6	7/16"-20	7/16"-20	4.4	31.7	26.2	22.6	9.8	11.1	14.2	14.2
KTRS5T-5UP	5/16"	8	1/2"-20	1/2"-20	6.0	34.5	28.7	24.1	9.8	14.2	15.8	15.8
KTRS6T-6UP	3/8"	10	9/16"-18	9/16"-18	7.5	38.8	31.8	26.9	11	14.2	17.4	17.4
KTRS8T-8UP	1/2"	12	3/4"-16	3/4"-16	9.9	44.5	36.8	31.8	12.5	19.1	22.2	22.2
KTRS10T-10UP	5/8"	16	7/8"-14	7/8"-14	12.3	53.4	43.2	36.8	14.3	22.2	25.4	25.4
KTRS12T-12UP	3/4"	18, 20	1 1/16"-12	1 1/16"-12	15.5	57.7	49.3	42.2	16.5	27.0	31.7	31.7
KTRS14T-14UP	7/8"	22	1 3/16"-12	1 3/16"-12	18.0	63.3	50.8	45.7	16.5	33.3	34.9	34.9
KTRS16T-16UP	1"	25	1 5/16"-12	1 5/16"-12	21.5	65.0	52.1	46.0	16.5	33.3	38.1	38.1
KTRS20T-20UP	1-1/4"	32	1 5/8"-12	1 5/8"-12	27.5	70.8	57.2	52.3	16.5	41.2	50	47.6
KTRS24T-24UP	1-1/2"	38	1 7/8"-12	1 7/8"-12	33.3	85.9	60.7	59.2	16.5	47.6	57.2	53.9
KTRS32T-32UP	2"	50	2 1/2"-12	2 1/2"-12	45.0	105.2	73.4	77.7	16.5	63.5	75	69.8

Swivel Male Connector

KSMC

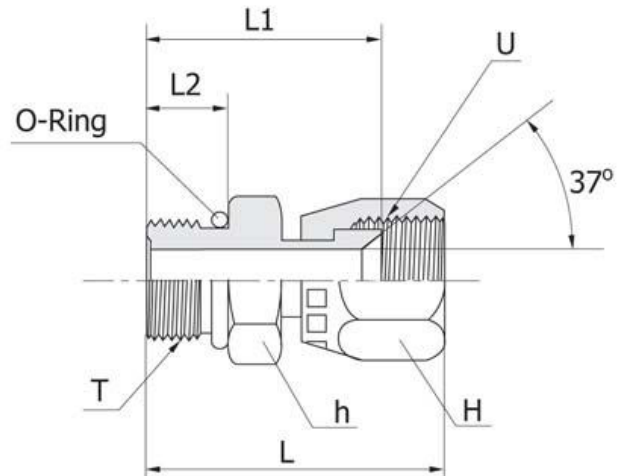
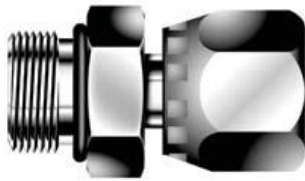


Swivel Fittings

Part No.	Tube O.D.		T (NPT)	U (UNF)	E	L	L1	h (HEX)	H (HEX)
	Inch	Metric							
KSMC2T-2N	1/8"	3	1/8"	5/16"-24	1.6	30.0	22.0	11.1	11.1
KSMC3T-2N	3/16"	4	1/8"	3/8"-24	3.2	32.0	23.5	11.1	12.7
KSMC4T-2N	1/4"	6	1/8"	7/16"-20	4.4	34.2	25.5	12.7	14.2
KSMC5T-2N	5/16"	8	1/8"	1/2"-20	6.0	35.0	25.5	14.2	16.0
KSMC6T-4N	3/8"	10	1/4"	9/16"-18	7.5	40.2	30.7	16	17.4
KSMC8T-6N	1/2"	12	3/8"	3/4"-16	9.9	42.7	32	21	22.2
KSMC10T-8N	5/8"	16	1/2"	7/8"-14	12.3	51.3	38.6	23.8	25.4
KSMC12T-12N	3/4"	18, 20	3/4"	1 1/16"-12	15.5	54.5	40.2	29	32
KSMC14T-12N	7/8"	22	3/4"	1 3/16"-12	18.0	56.0	41.2	32.0	35.0
KSMC16T-16N	1"	25	1"	1 5/16"-12	21.5	63.7	48.6	36	38
KSMC20T-20N	1-1/4"	32	1-1/4"	1 5/8"-12	27.5	68.9	53	46	50.8
KSMC24T-24N	1-1/2"	38	1-1/2"	1 7/8"-12	33.3	77.6	59	50	57
KSMC32T-32N	2"	50	2"	2 1/2"-12	45.0	92.9	69.1	66.7	73

Swivel UNF Male Connector

KSMCS-U

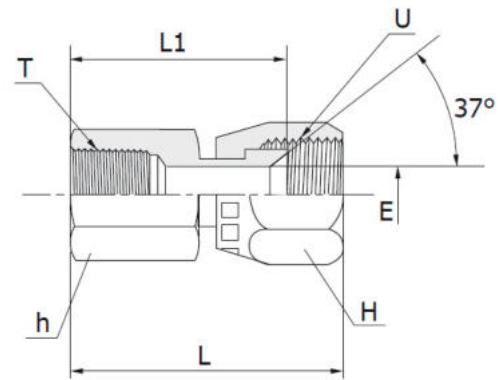


Swivel Fittings

Part No.	Tube O.D.		T (UNF)	U (UNF)	L	L1	L2	h (HEX)	H (HEX)
	Inch	Metric							
KSMCS2T-02U	1/8"	3	5/16"-24	5/16"-24	30.4	22.5	7.5	11.1	11.1
KSMCS3T-02U	3/16"	4	3/8"-24	3/8"-24	31.0	22.7	7.5	12.7	12.7
KSMCS4T-04U	1/4"	6	7/16"-20	7/16"-20	33.9	25.2	9.1	14.2	14.2
KSMCS5T-05U	5/16"	8	1/2"-20	1/2"-20	35.7	26.2	9.1	15.8	15.8
KSMCS6T-06U	3/8"	10	9/16"-18	9/16"-18	37.4	27.9	9.9	17.4	19
KSMCS8T-08U	1/2"	12	3/4"-16	3/4"-16	41.6	30.7	11.1	22.2	22.2
KSMCS10T-10U	5/8"	16	7/8"-14	7/8"-14	47.6	34.9	12.7	25.4	27
KSMCS12T-12U	3/4"	18, 20	1 1/16"-12	1 1/16"-12	54.4	40.1	15.1	31.8	32
KSMCS14T-14U	7/8"	22	1 3/16"-12	1 3/16"-12	55.6	40.9	15.1	34.9	34.9
KSMCS16T-16U	1"	25	1 5/16"-12	1 5/16"-12	56.8	41.7	15.1	38.1	38.1
KSMCS20T-20U	1-1/4"	32	1 5/8"-12	1 5/8"-12	63.2	47.3	15.1	46.7	50.8
KSMCS24T-24U	1-1/2"	38	1 7/8"-12	1 7/8"-12	71.3	52.7	15.1	54.0	60.0
KSMCS32T-32U	2"	50	2 1/2"-12	2 1/2"-12	72.5	58.7	15.1	70.0	73.0

Swivel Female Connector

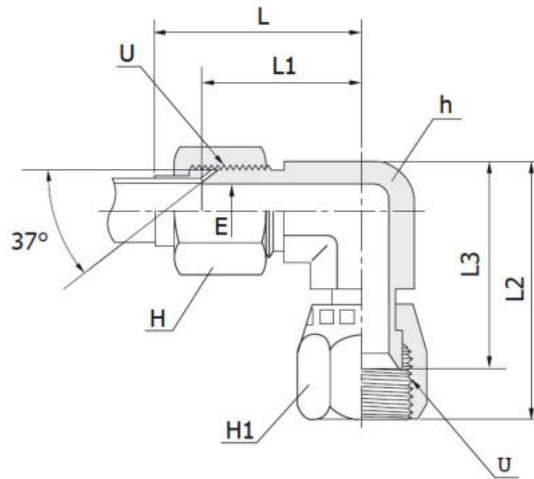
KSCF



Swivel Fittings

Part No.	Tube O.D.		T (NPT)	U (UNF)	E	L	L1	h (HEX)	H (HEX)
	Inch	Metric							
KSCF2T-2N	1/8"	3	1/8"	5/16"-24	1.6	36.1	28.2	14.2	11.1
KSCF3T-2N	3/16"	4	1/8"	3/8"-24	3.2	37.3	29.0	14.2	12.7
KSCF4T-2N	1/4"	6	1/8"	7/16"-20	4.4	39.7	31	14.2	14.2
KSCF5T-2N	5/16"	8	1/8"	1/2"-20	6.0	40.5	31.0	14.2	16.0
KSCF6T-4N	3/8"	10	1/4"	9/16"-18	7.5	45.8	36.3	19	17.4
KSCF8T-6N	1/2"	12	3/8"	3/4"-16	9.9	47	38.9	22.2	22.2
KSCF10T-8N	5/8"	16	1/2"	7/8"-14	12.3	51.6	48	29	25.4
KSCF12T-12N	3/4"	18, 20	3/4"	1 1/16"-12	15.5	66.6	52.3	35	32
KSCF14T-12N	7/8"	22	3/4"	1 3/16"-12	18.0	67.8	53.1	35.0	35.0
KSCF16T-16N	1"	25	1"	1 5/16"-12	21.5	73.5	58.4	41	38
KSCF20T-20N	1-1/4"	32	1-1/4"	1 5/8"-12	27.5	78.1	62.2	50.8	50.8
KSCF24T-24N	1-1/2"	38	1-1/2"	1 7/8"-12	33.3	86.7	68.1	60.0	57
KSCF32T-32N	2"	50	2"	2 1/2"-12	45.0	89.3	65.2	73	73

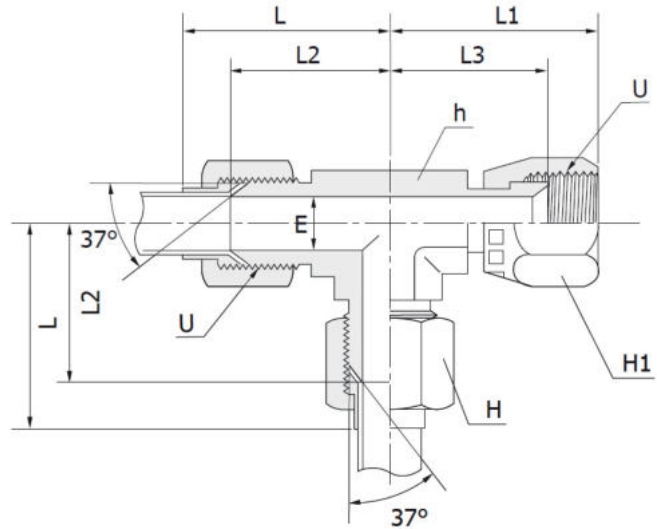
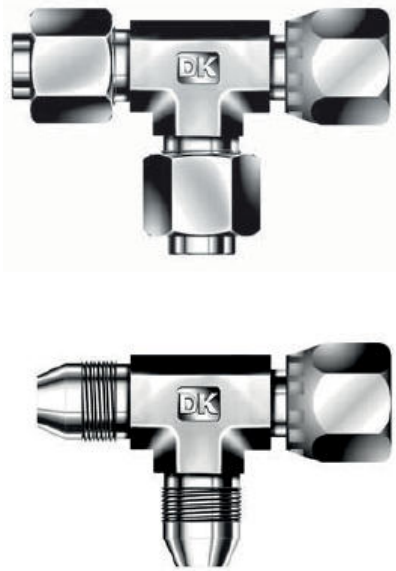
Swivel Elbow
KSL



Swivel Fittings

Part No.	Tube O.D.		U (UNF)	E	L	L1	L2	L3	h (HEX)	H (HEX)	H1 (HEX)
	Inch	Metric									
KSL-2T	1/8"	3	5/16"-24	1.6	27.4	19.6	24.6	16.7	11.1	9.5	11.1
KSL-3T	3/16"	4	3/8"-24	3.2	30.5	21.1	25.4	17.1	11.1	11.1	12.7
KSL-4T	1/4"	6	7/16"-20	4.4	31.7	22.6	25.4	16.7	11.1	14.2	14.2
KSL-5T	5/16"	8	1/2"-20	6.0	34.5	24.1	26.9	17.4	14.2	15.8	15.8
KSL-6T	3/8"	10	9/16"-18	7.5	38.8	26.9	31.8	22.3	14.2	17.4	17.4
KSL-8T	1/2"	12	3/4"-16	9.9	44.5	31.8	35.1	24.4	19.1	22.2	22.2
KSL-10T	5/8"	16	7/8"-14	12.3	53.4	36.8	41.1	28.4	22.2	25.4	25.4
KSL-12T	3/4"	18, 20	1 1/16"-12	15.5	57.7	42.2	44.4	30.1	27.0	31.7	31.7
KSL-14T	7/8"	22	1 3/16"-12	18.0	63.3	45.7	45.2	30.5	33.3	34.9	34.9
KSL-16T	1"	25	1 5/16"-12	21.5	65.0	46.0	50.8	35.7	33.3	38.1	38.1
KSL-20T	1-1/4"	32	1 5/8"-12	27.5	70.8	52.3	58.7	42.8	41.2	50	50
KSL-24T	1-1/2"	38	1 7/8"-12	33.3	85.9	59.2	65.8	47.2	47.6	57.2	57.2
KSL-32T	2"	50	2 1/2"-12	45.0	105.2	77.7	85.9	62.1	63.5	75	75

Swivel Run Tee
KSRT

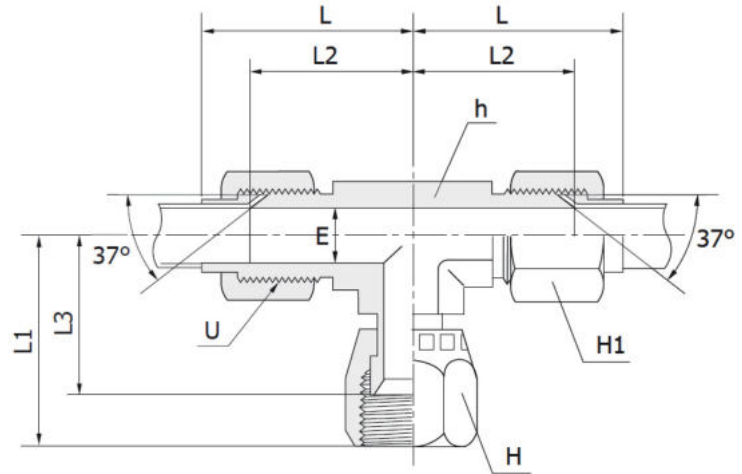
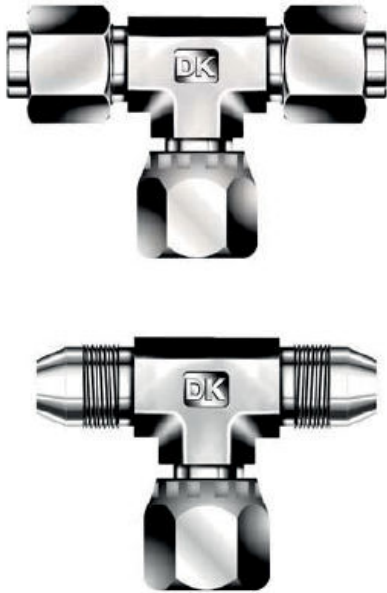


Swivel Fittings

Part No.	Tube O.D.		U (UNF)	E	L	L1	L2	L3	h (HEX)	H (HEX)	H1 (HEX)
	Inch	Metric									
KSRT-2T	1/8"	3	5/16"-24	1.6	27.4	24.6	19.6	16.7	11.1	9.5	11.1
KSRT-3T	3/16"	4	3/8"-24	3.2	30.5	25.4	21.1	17.1	11.1	11.1	12.7
KSRT-4T	1/4"	6	7/16"-20	4.4	31.7	25.4	22.6	16.7	11.1	14.2	14.2
KSRT-5T	5/16"	8	1/2"-20	6.0	34.5	26.9	24.1	17.4	14.2	15.8	15.8
KSRT-6T	3/8"	10	9/16"-18	7.5	38.8	31.8	26.9	22.3	14.2	17.4	17.4
KSRT-8T	1/2"	12	3/4"-16	9.9	44.5	35.1	31.8	24.4	19.1	22.2	22.2
KSRT-10T	5/8"	16	7/8"-14	12.3	53.4	41.1	36.8	28.4	22.2	25.4	25.4
KSRT-12T	3/4"	18, 20	1 1/16"-12	15.5	57.7	44.4	42.2	30.1	27.0	31.7	31.7
KSRT-14T	7/8"	22	1 3/16"-12	18.0	63.3	45.2	45.7	30.5	33.3	34.9	34.9
KSRT-16T	1"	25	1 5/16"-12	21.5	65.0	50.8	46.0	35.7	33.3	38.1	38.1
KSRT-20T	1-1/4"	32	1 5/8"-12	27.5	70.8	58.7	52.3	42.8	41.2	50	50
KSRT-24T	1-1/2"	38	1 7/8"-12	33.3	85.9	65.8	59.2	47.2	47.6	57.2	57.2
KSRT-32T	2"	50	2 1/2"-12	45.0	105.2	85.9	77.7	62.1	63.5	75	75

Swivel Branch Tee

KSBT

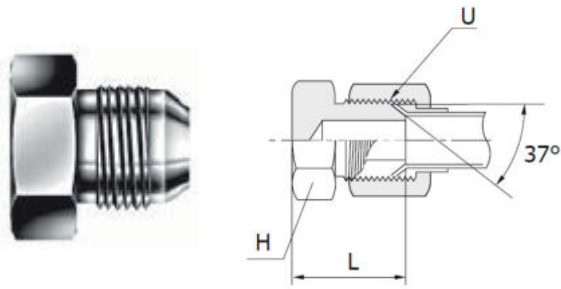


Swivel Fittings

Part No.	Tube O.D.		U (UNF)	E	L	L1	L2	L3	h (HEX)	H (HEX)	H1 (HEX)
	Inch	Metric									
KSBT-2T	1/8"	3	5/16"-24	1.6	27.4	24.6	19.6	16.7	11.1	9.5	11.1
KSBT-3T	3/16"	4	3/8"-24	3.2	30.5	25.4	21.1	17.1	11.1	11.1	12.7
KSBT-4T	1/4"	6	7/16"-20	4.4	31.7	25.4	22.6	16.7	11.1	14.2	14.2
KSBT-5T	5/16"	8	1/2"-20	6.0	34.5	26.9	24.1	17.4	14.2	15.8	15.8
KSBT-6T	3/8"	10	9/16"-18	7.5	38.8	31.8	26.9	22.3	14.2	17.4	17.4
KSBT-8T	1/2"	12	3/4"-16	9.9	44.5	35.1	31.8	24.4	19.1	22.2	22.2
KSBT-10T	5/8"	16	7/8"-14	12.3	53.4	41.1	36.8	28.4	22.2	25.4	25.4
KSBT-12T	3/4"	18, 20	1 1/16"-12	15.5	57.7	44.4	42.2	30.1	27.0	31.7	31.7
KSBT-14T	7/8"	22	1 3/16"-12	18.0	63.3	45.2	45.7	30.5	33.3	34.9	34.9
KSBT-16T	1"	25	1 5/16"-12	21.5	65.0	50.8	46.0	35.7	33.3	38.1	38.1
KSBT-20T	1-1/4"	32	1 5/8"-12	27.5	70.8	58.7	52.3	42.8	41.2	50	50
KSBT-24T	1-1/2"	38	1 7/8"-12	33.3	85.9	65.8	59.2	47.2	47.6	57.2	57.2
KSBT-32T	2"	50	2 1/2"-12	45.0	105.2	85.9	77.7	62.1	63.5	75	75

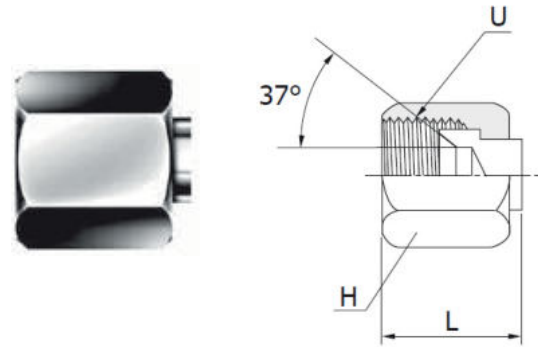
Cap for Tube End

KC



Plug for Fitting Port

KP



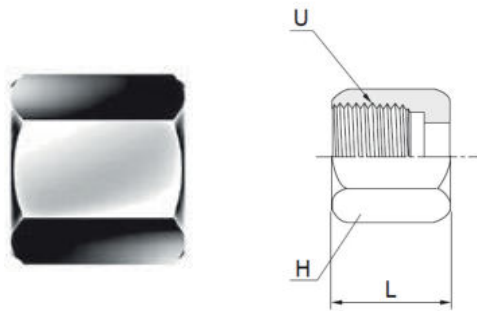
Cap and Plug

Part No.	Tube O.D.		U (UNF)	H (HEX)	L
	Inch	Metric			
KC-2T	1/8"	3	5/16"-24	11.1	17.8
KC-3T	3/16"	4	3/8"-24	11.1	18.5
KC-4T	1/4"	6	7/16"-20	12.7	20.3
KC-5T	5/16"	8	1/2"-20	14.2	20.3
KC-6T	3/8"	10	9/16"-18	15.8	21.3
KC-8T	1/2"	12	3/4"-16	20.6	23.9
KC-10T	5/8"	16	7/8"-14	23.8	27.9
KC-12T	3/4"	18, 20	1 1/16"-12	28.5	32.5
KC-14T	7/8"	22	1 3/16"-12	31.7	33.3
KC-16T	1"	25	1 5/16"-12	34.9	33.8
KC-20T	1-1/4"	32	1 5/8"-12	42.8	36.8
KC-24T	1-1/2"	38	1 7/8"-12	50	41.9
KC-32T	2"	50	2 1/2"-12	70	52.1

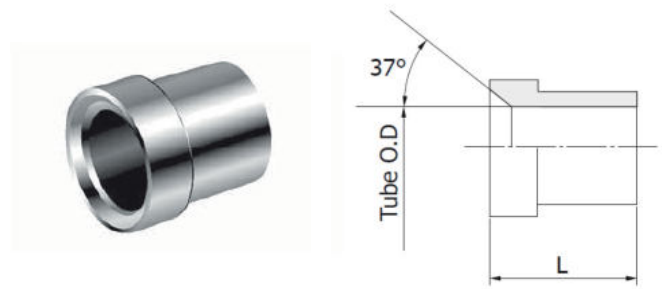
Cap and Plug

Part No.	Tube O.D.		U (UNF)	H (HEX)	L
	Inch	Metric			
KP-2T	1/8"	3	5/16"-24	9.5	13.7
KP-3T	3/16"	4	3/8"-24	11.1	15.2
KP-4T	1/4"	6	7/16"-20	14.2	15.5
KP-5T	5/16"	8	1/2"-20	15.8	17.0
KP-6T	3/8"	10	9/16"-18	17.4	18.3
KP-8T	1/2"	12	3/4"-16	22.2	21.3
KP-10T	5/8"	16	7/8"-14	25.4	24.6
KP-12T	3/4"	18, 20	1 1/16"-12	31.7	25.9
KP-14T	7/8"	22	1 3/16"-12	34.9	27.4
KP-16T	1"	25	1 5/16"-12	38.1	28.4
KP-20T	1-1/4"	32	1 5/8"-12	50.8	31.0
KP-24T	1-1/2"	38	1 7/8"-12	57.1	35.8
KP-32T	2"	50	2 1/2"-12	73.0	44.2

Nut
KN



Sleeve
KS



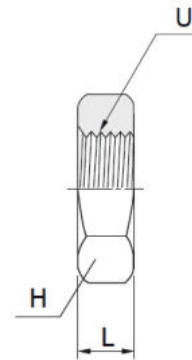
Spare Parts

Part No.	Tube O.D.		U (UNF)	H (HEX)	L
	Inch	Metric			
KN-2T	1/8"	3	5/16"-24	9.5	14.0
KN-3T	3/16"	4	3/8"-24	11.1	15.5
KN-4T	1/4"	6	7/16"-20	14.2	15.8
KN-5T	5/16"	8	1/2"-20	15.8	17.3
KN-6T	3/8"	10	9/16"-18	17.4	18.5
KN-8T	1/2"	12	3/4"-16	22.2	21.6
KN-10T	5/8"	16	7/8"-14	25.4	24.9
KN-12T	3/4"	18, 20	1 1/16"-12	31.7	26.2
KN-14T	7/8"	22	1 3/16"-12	34.9	27.7
KN-16T	1"	25	1 5/16"-12	38.1	28.7
KN-20T	1-1/4"	32	1 5/8"-12	50	31.2
KN-24T	1-1/2"	38	1 7/8"-12	57.2	36.1
KN-32T	2"	50	2 1/2"-12	75	44.5

Spare Parts

Part No.	Tube O.D.		L
	Inch	Metric	
KS-2T	1/8"	3	8.6
KS-3T	3/16"	4	8.6
KS-4T	1/4"	6	10.4
KS-5T	5/16"	8	11.2
KS-6T	3/8"	10	12.7
KS-8T	1/2"	12	14.2
KS-10T	5/8"	16	16.8
KS-12T	3/4"	18, 20	17.3
KS-14T	7/8"	22	19.3
KS-16T	1"	25	19.8
KS-20T	1-1/4"	32	23.1
KS-24T	1-1/2"	38	28.4
KS-32T	2"	50	30.2

Bulkhead Lok Nut
KBN



Spare Parts

Part No.	Tube O.D.		U (UNF)	L	H (HEX)
	Inch	Metric			
KBN-2T	1/8"	3	5/16"-24	5.6	14.2
KBN-3T	3/16"	4	3/8"-24	5.6	15.8
KBN-4T	1/4"	6	7/16"-20	6.4	17.4
KBN-5T	5/16"	8	1/2"-20	6.4	19.1
KBN-6T	3/8"	10	9/16"-18	6.9	20.6
KBN-8T	1/2"	12	3/4"-16	7.9	25.4
KBN-10T	5/8"	16	7/8"-14	9.1	28.5
KBN-12T	3/4"	18, 20	1 1/16"-12	10.4	34.9
KBN-14T	7/8"	22	1 3/16"-12	10.4	38.1
KBN-16T	1"	25	1 5/16"-12	10.4	41
KBN-20T	1-1/4"	32	1 5/8"-12	10.4	47.6
KBN-24T	1-1/2"	38	1 7/8"-12	10.4	53.9
KBN-32T	2"	50	2 1/2"-12	10.4	70

Quality System Certifications

ISO 9001:2000	AP1149
ISO 14001:2004	CL-K-E-1149
OHSMS 18001	HSBSK-S006
API Spec Q1	6D-0593
KEPIC-MN	MN-466
PED 97/23/EC Module D	HSBI-10-11-046
PED 97/23/EC Module H	HSBI-11-03-010
PED 97/23/EC Annex I	07-202-1326WZ-0941/10

Nuclear System and Product Certifications

ASME N	N-3185
ASME NPT	N-3186
ASME NS	N-3342
ASME NB	N-3185

Pressure Equipment Directive 97/23/EC

Module B&D	HSBI-10-11 -045
------------	-----------------

DK-Lok Flange Adapter Leakproof Test per TA Luft requirements

TUV Rheinland	973-10014584
---------------	--------------

CNG Certifications

TUV Rheinland :	AF-2009-0903-01	TUV SUD : 07-000026-PA-GMB-01
ECER110	67-01	ECE Regulation NO. 110
ISO 15500-19	15500-15916	ECE Regulation NO. 67-02
ANSI	AGA NGV 3.1-1995,CGA NGV 12.3-M95	Compressed Gaseous Hydrogen (CGH2)
ANSI	AGA NGV 4.1-1999,CSA 125.M99	Liquid Hydrogen(LH2)
Draft ECE Compressed Gaseous Hydrogen Regulation,		
Revision 12b, 10/12/03.		
State of the art		

CRN

CRN	0A4788.2
CRN	0C07988.2
CRN	0C09275.2
CRN	0E07988.2
CRN	0C5191.2
CRN	0C07988.2

GOST

GOST	POCC KR.AB28.B02325
GOST	POCC KR.AB28.B02327

Type Approval Certifications

ABS	01-BK218882/3-PDA
	09-BK522012-PDA
	BK720958-X
BV	14034/A1 BV
DNV	P-13044
	P-13052
GL	47 924-03HH
	47 925-03HH
	40 504-01HH
	40 505-01HH
KR	CWN80397-PE001
LR	01/10047
	01/10048
NK	06FV101B

The information shown in this catalog are not for design purpose, but for reference only.
The accuracy of information is not the liability of our company.

Safe Component Selection

The Selection of component for any applications or system design must be considered to ensure safe performance Component function, material compatibility, component ratings, proper installation, operation and maintenance remain the sole responsibility of the system designer and the user. DK Tech accepts no liability for any improper selection, installation, operation or maintenance



경상남도 김해시 주촌면 골든루트로 129번길 7 50969

7, Golden root-ro 129beon-gil, Juchon-myeon, Gimhae-si, Gyeongsangnam-do, South Korea. 50969

Tel. +82-55-338-0114 Fax. +82-55-901-0141 www.dklok.com